

GE Healthcare

Brivo* XR285amx

Mobile Radiographic System



System Application

The Brivo XR285amx is a self-contained battery operated mobile X-Ray imaging system designed for performing radiographic exams at the point of care when it is not safe or practical to move the patient to the radiographic room.

Brivo XR285amx is suited for routine radiographic procedures within a hospital including radiology departments, intensive care units, cardiac care units, emergency departments, operating rooms, orthopedics, pediatrics, hospital rooms and clinics.

Key Features

- Designed to be used with conventional film or CR cassettes
- Designed for 24/7 availability. Use with battery or make exposures while the unit is charging
- Automatic charging algorithms allow the system to be re-charged even if batteries are not fully drained
- 15kW (nominal) generator and available 30kW (nominal) option

Productivity

- Up to 1200W of power available to minimize charge time
- Average system charge time of 3 hours.
- System can be driven within 4 seconds of activation

Drive

- Battery operated
- Self-propelled single handle drive control
- Variable speed of up to 5 km/h (3.1 mph on flat surfaces) forward and reverse to automatically adjust to the operator's pace
- Capable of climbing an incline of 7°

Generator

- 300 mA max
- kVp and mAs controls

	Ratings	Steps
kVp:	50 – 125	±1 kVp increments
mAs:	0.2 to 630	24 (25% Up - 20% down)

- Super-resonant inverter with varying frequency
- Less than 2% low frequency ripple
- Frequency: greater than 100 kHz

X-Ray Source

- Nominal Tube Voltage (Radiographic) 40 ~ 150 kV
- Nominal Focal Spot size (IEC 60336):
 - Large Focus... 1.2 mm
 - Small Focus... 0.6 mm
- Anode Rotation Speed (minimal): 3200 min⁻¹
- Permanent Filtration: 0.9 mm Al/75 kV IEC60522: 1999
- Maximum X-ray Tube Current
 - Large Focus: 500 mA
 - Small Focus: 200 mA
- Maximum Continuous Heat Dissipation: Without Air-circulator: 170 W (238 HU/s)
- Maximum anode heat units 140 KHU
- Exposure time: 4.0 msec – 6.0 sec.

Tube Positioning

- The column may be rotated up to ± 270° from the park position.
- Tube Angle display and SID measuring tool
- Focal Spot range from 62.5 cm (24.6 in) to 200 cm (78.7 in)

Collimator

- A pair of independent collimator blades controls the x-ray
- 180 lux (1000 Lumen/mt²) light field lamp
- The collimator rotates ±180 degrees with detents at -180, -90, 0, +90, and +180 degrees
- Full 43 cm x 43 cm (17 in) coverage at a 100 cm SID

Power

- Capable of 100-240 V nominal, 50/60 Hz operation
- System battery status display

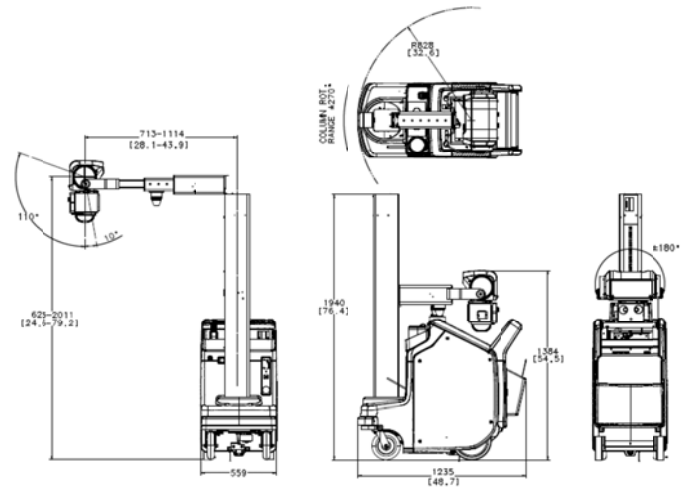
Environmental and Safety

- Drive Inhibit keypad access
- Password protected access to exposure
- Automatic safety brake: Operator must hold drive controls to allow system movement
- Integrated front bumper stops unit and activates brakes when activated
- Bin stores standard sized CR cassettes
- Built in storage for cleaning wipes, gloves and lead apron
- Smooth surfaces for cleanability

Dimensional Drawing

All measurements are approximate and subject to change without notice.

- Weight: 453 kg (1,000 lbs.) max



Compliance to Standards

Brivo XR285amx Mobile Radiographic Imaging System is designed to meet applicable performance standards for diagnostic X-ray equipment enunciated by the U.S. Department of Health and Human Services pursuant to the Radiation Control for Health and Safety Act. In addition, the system complies with AAMI, IEC and CSA requirements.

Warranty

The published company warranty in effect on date of shipment shall apply. Right reserved to make changes

About GE Healthcare

GE Healthcare provides transformational medical technologies and services that are shaping a new age of patient care. Our broad expertise in medical imaging and information technologies, medical diagnostics, patient monitoring systems, drug discovery, biopharmaceutical manufacturing technologies, performance improvement and performance solutions services help our customers to deliver better care to more people around the world at a lower cost. In addition, we partner with healthcare leaders, striving to leverage the global policy change necessary to implement a successful shift to sustainable healthcare systems.

Our “healthymagination” vision for the future invites the world to join us on our journey as we continuously develop innovations focused on reducing costs, increasing access and improving quality and efficiency around the world. Headquartered in the United Kingdom, GE Healthcare is a \$16 billion unit of General Electric Company (NYSE: GE). Worldwide, GE Healthcare employs more than 46,000 people committed to serving healthcare professionals and their patients in more than 100 countries.

For more information about GE Healthcare, visit our website at www.gehealthcare.com.

GE Healthcare
3000 N. Grandview Blvd,
Waukesha, WI 53186,
U.S.A.
www.gehealthcare.com



GE imagination at work