

# Planning Sheet & Equipment Drawings

SHT. NO.	CONTENTS
1	Table of Contents
2	Account Information
3	SCCT Custom Orders
4	Plan & Elevation
5	Parts List
6	Standard Mount Detail
7	Support Structure Detail
8	Ceiling Access Detail
9	STERIS LED585 Spring Arm and Lighthead



1. STERIS RECOMMENDS INSTALLATION DURING EARLY PHASE OF CONSTRUCTION.

2. STERIS ASSUMES NO RESPONSIBILITY FOR CHANGES MADE NECESSARY THROUGH FAILURE TO OBSERVE INSTALLATION INSTRUCTIONS. IT IS THE RESPONSIBILITY OF THE CUSTOMER TO INSURE THAT UNITS ARE INSTALLED IN ACCORDANCE WITH STATE AND LOCAL CODE.

THIS SIGNATURE CONFIRMS EQUIPMENT SPECIFICATIONS AND CEILING HEIGHT CONTAINED IN THIS DOCUMENT AND ACKNOWLEDGES THAT ANY CHANGES MAY RESULT IN ADDITIONAL FEES AND DELAYED DELIVERY

TITLE:  
SIGNATURE:

DATE:

ALL DIMENSIONS ARE IN INCHES  
ALSO REFER TO GENERAL NOTES  
APPLICABLE TO EQUIPMENT DRAWINGS

**STERIS**



STERIS Corporation  
Mentor, OH

## TITLE SHEET AND TABLE OF CONTENTS

Reno rooms for Cardiac Surgery  
LED01N - Harmony LED Dual 585

Kelowna Dual Light Post Configuration cut sheet

ACCOUNT NAME  
Kelowna Cardio Rooms

ACCOUNT LOCATION  
Kelowna British Columbia

FILE NAME  
Kelowna Dual Light Post Configuration cut sheet

PRINTED DATE  
9/26/2011

SHEET 1 of 9

Date: September 26, 2011

H-number \_\_\_\_\_

Description: Reno rooms for Cardiac Surgery

Item no: \_\_\_\_\_

Room Application: Cardiovascular OR

Account: Kelowna Cardio Rooms

Location Kelowna British Columbia

Customer Rep: William Lawton Voice Mail: \_\_\_\_\_

Project Manager: \_\_\_\_\_ Voice Mail: \_\_\_\_\_

Customer PO Number: \_\_\_\_\_

Quantity: 2 Room Numbers: \_\_\_\_\_

STERIS Order No: \_\_\_\_\_ Order Item No: \_\_\_\_\_

**Special Instructions:**

ALL DIMENSIONS ARE IN INCHES  
ALSO REFER TO GENERAL NOTES  
APPLICABLE TO EQUIPMENT DRAWINGS

**STERIS®**



STERIS Corporation  
Mentor, OH

**ACCOUNT  
INFORMATION**

**Reno rooms for Cardiac Surgery**  
LED01N - Harmony LED Dual 585

Kelowna Dual Light Post Configuration cut sheet

ACCOUNT NAME

Kelowna Cardio Rooms

ACCOUNT LOCATION

Kelowna British Columbia

FILE NAME

PRINTED DATE  
9/26/2011

SHEET 2 of 9

## Additional Terms for SCCT Custom Orders

Custom orders for integrated operating rooms, lights and booms, and other customized equipment for surgical and critical care shall be subject to STERIS's standard Terms and Conditions of Sale and Installation as well as the following additional terms and conditions:

### Payment

A non-refundable deposit of thirty percent (30%) of the total purchase price of any order that includes custom equipment must be paid to STERIS within ten days of the date that STERIS receives Customer's purchase order. Payment of the remainder of the purchase price must be made within thirty days of STERIS's invoice date.

### Cancellation

If a customer chooses to cancel a purchase order for a custom order, the Customer's deposit will be forfeited.

### Change Orders

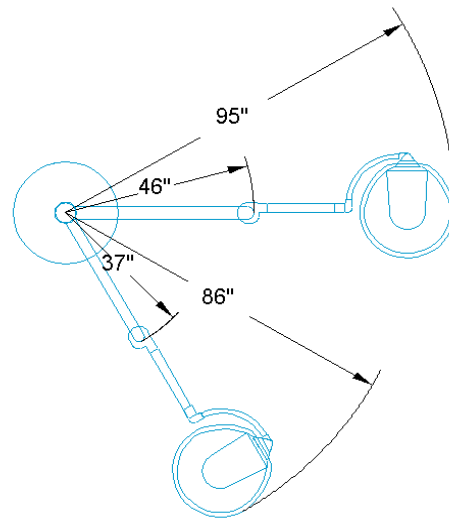
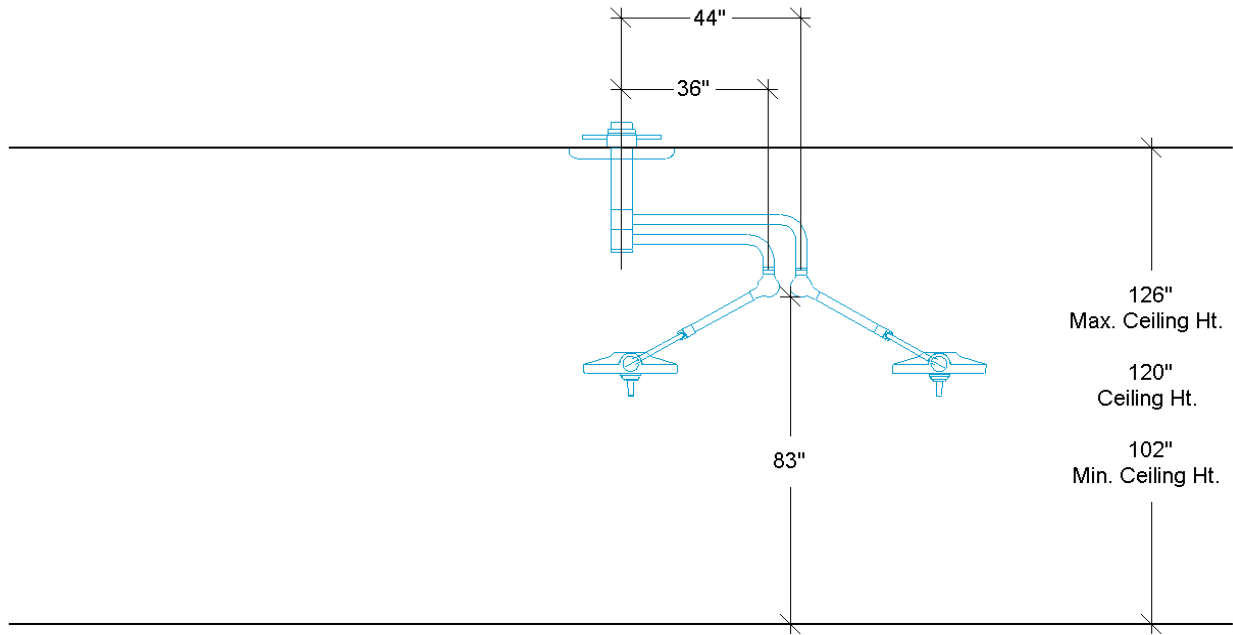
Customer change orders shall be subject to a change order fee of \$2500.00 plus any price difference between the original and revised order. Customers will be invoiced for the change order fee at the time that the requested change is implemented. All change orders must be accepted and approved by STERIS. Change orders may result in delays in shipping and/or installation.

The \$2,500.00 change order fee shall also apply if a STERIS installation team arrives at a Customer facility for a scheduled installation but is unable to complete the installation because of the Customer's failure to prepare the site according to previously agreed upon specifications.

### Return of Goods

Customer shall not be entitled to any refund or credit for custom-made parts, used parts or parts that are missing labels or packaging. Goods may not be returned without prior approval from STERIS. Customer is responsible for all freight costs associated with the return of goods after shipment and may be required to pay a restocking fee.

<p style="font-size: small; margin: 0;">ALL DIMENSIONS ARE IN INCHES ALSO REFER TO GENERAL NOTES APPLICABLE TO EQUIPMENT DRAWINGS</p>	<h2 style="margin: 0;">CUSTOM ORDER TERMS</h2>	<p style="font-size: x-small; margin: 0;">INITIALS: _____ DATE: _____</p>
<p style="font-size: x-small; margin: 0;">STERIS Corporation Mentor, OH</p>	<p style="text-align: center; font-weight: bold; margin: 0;">Reno rooms for Cardiac Surgery LED01N - Harmony LED Dual 585</p>	<p style="font-size: x-small; margin: 0;">ACCOUNT NAME Kelowna Cardio Rooms</p>
	<p style="font-size: x-small; margin: 0;">ACCOUNT LOCATION Kelowna British Columbia</p>	
	<p style="font-size: x-small; margin: 0;">FILE NAME Kelowna Dual Light Post Configuration cut sheet</p>	
<p style="font-size: x-small; margin: 0;">PRINTED DATE 9/26/2011</p>	<p style="font-size: x-small; margin: 0;">SHEET 3 of 9</p>	



Arm Description	Load (lbs)	Moment (ft-lbs)
The structural load and moment force for this configuration is:	321	724

ALL DIMENSIONS ARE IN INCHES  
ALSO REFER TO GENERAL NOTES  
APPLICABLE TO EQUIPMENT DRAWINGS

**STERIS**



STERIS Corporation  
Mentor, OH

## ELEVATION AND PLAN OVERVIEWS

Reno rooms for Cardiac Surgery  
LED01N - Harmony LED Dual 585

ACCOUNT NAME  
Kelowna Cardio Rooms

ACCOUNT LOCATION  
Kelowna British Columbia

FILE NAME  
Kelowna Dual Light Post Configuration cut sheet

PRINTED DATE  
9/26/2011

SHEET 4 of 9

Description	Part #	Type	Qty / Unit	Total Qty
Harmony LED Dual 585 Package:	LED01N	Acc	1	2

## PARTS LIST

ALL DIMENSIONS ARE IN INCHES  
ALSO REFER TO GENERAL NOTES  
APPLICABLE TO EQUIPMENT DRAWINGS

# STERIS®



STERIS Corporation  
Mentor, OH

**Reno rooms for Cardiac Surgery**  
LED01N - Harmony LED Dual 585

Kelowna Dual Light Post Configuration cut sheet

PRINTED DATE  
9/26/2011

SHEET 5 of 9

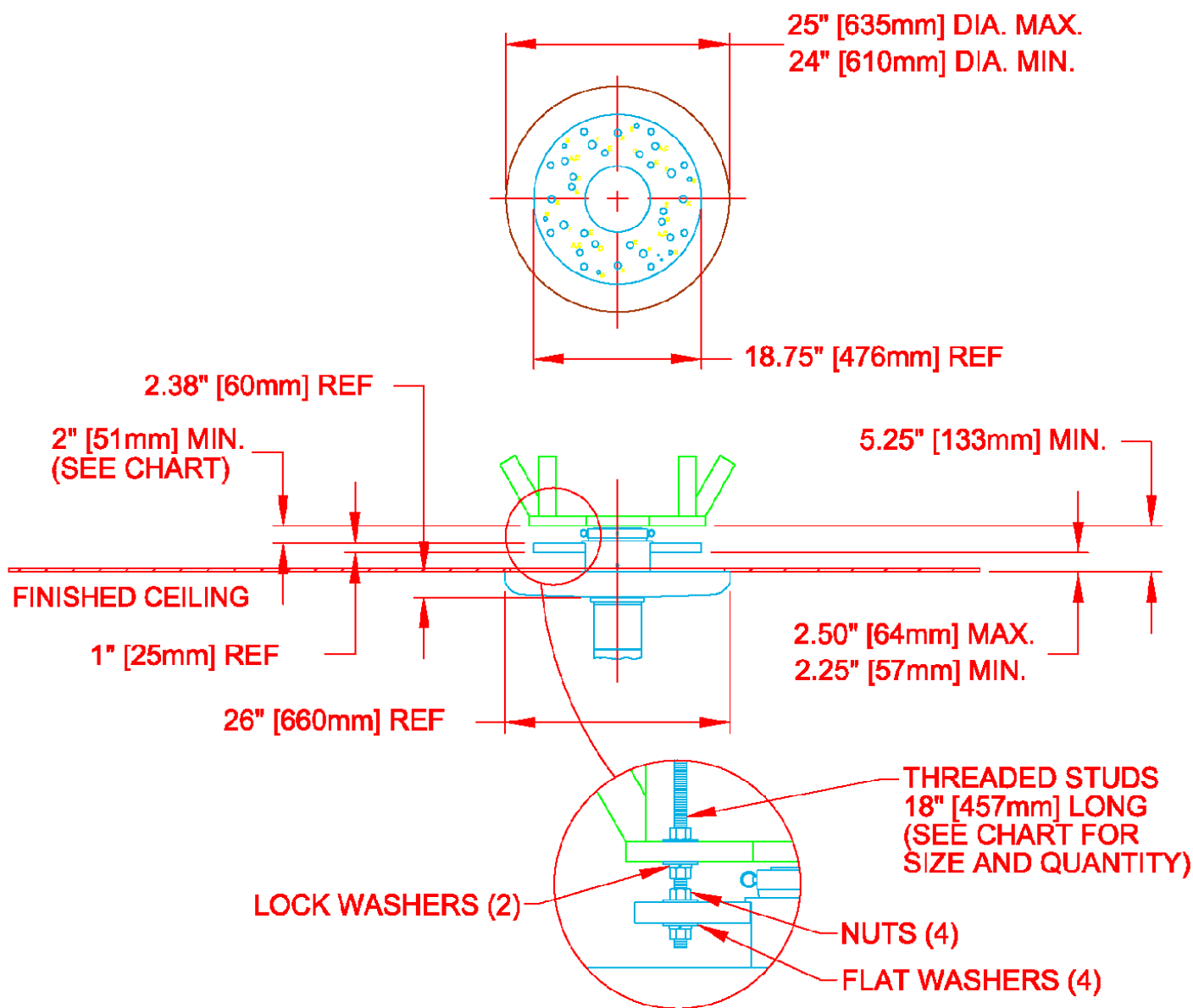
ACCOUNT NAME  
Kelowna Cardio Rooms

ACCOUNT LOCATION  
Kelowna British Columbia

FILE NAME

CAD DWG DATE 6-23-09 DRAWN BY GAC CHECKED BY DL ECA 094178 REV. DATE 6-23-09 REV. NO. 0 DWG. NO. 129378-558

**CEILING OPENING**



\* MOST COMMON MOUNTING PATTERN

MOUNTING HOLE CHART					
HOLES	BOLT DIA.	QTY.	BOLT CIRCLE DIA.	HOLE TO HOLE	PLATE TO PLATE
*A	5/8"	4	14.500" [368mm]	10.25" [260mm]	7.75" [197mm]
B	3/8"	6	16.748" [425mm]	8.37" [213mm]	3" [76mm]
C	1/2"	4	14.500" [368mm]	10.25" [260mm]	6" [152mm]
D	5/8"	4	11.126" [283mm]	7.67" [200mm]	7.75" [197mm]
E	5/8"	6	10.626" [270mm]	5.31" [135mm]	7.75" [197mm]
F	3/4"	4	13.346" [339mm]	9.44" [240mm]	7.75" [197mm]

1. ALLOW EXTENSION BOLTS OR FULLY THREADED STUDS TO EXTEND 1.25"±.125" (32MM±3.2mm) THROUGH BOTTOM OF STERIS CEILING PLATE. EXTENSION BOLTS OR FULLY THREADED STUDS TO BE CLASS 2B THREAD SAE J429/ASTM A449 GRADE 5 OR ASTM A193 GRADE B7 MATERIAL OR BETTER. CORRESPONDING GRADE NUTS TO BE USED. DO NOT USE TOGGLE BOLTS.
2. PLATE TO PLATE DIMENSION IN CHART IS MAX. FOR SEISMIC INSTALLATIONS.

ALL DIMENSIONS ARE IN INCHES  
 ALSO REFER TO GENERAL NOTES  
 APPLICABLE TO EQUIPMENT DRAWINGS

**STERIS®**



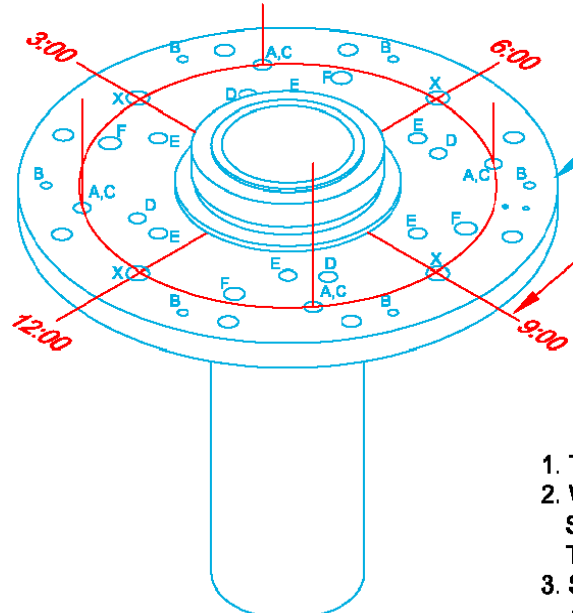
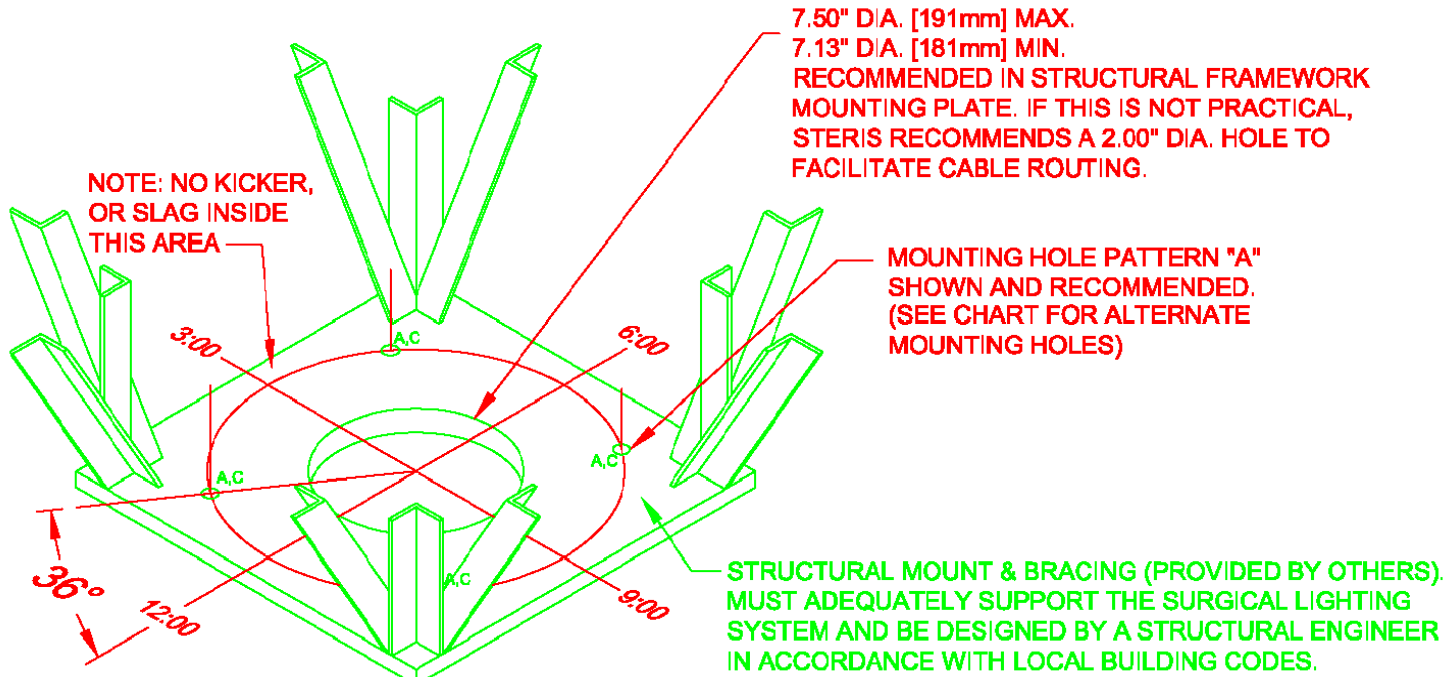
STERIS Corporation  
 Mentor, OH

**STANDARD MOUNT  
 DETAIL**

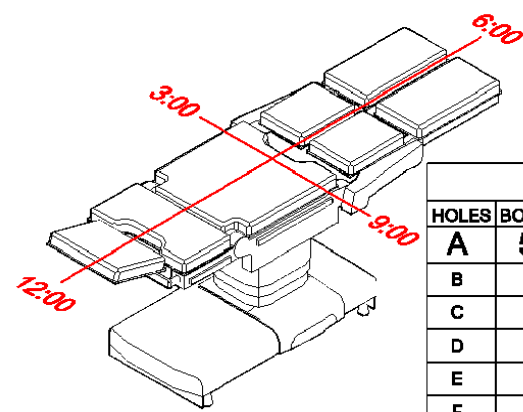
Reno rooms for Cardiac Surgery  
 LED01N - Harmony LED Dual 585

ACCOUNT NAME Kelowna Cardio Rooms	
ACCOUNT LOCATION Kelowna British Columbia	
FILE NAME Kelowna Dual Light Post Configuration cut sheet	
PRINTED DATE 9/26/2011	SHEET 6 of 9

CAD DWG DATE 6-23-09 DRAWN BY G.J. CHECKED BY DL ECA 094178 REV. DATE REV. NO. 0 DWG. NO. 129378-557



1. THE CEILING STRUCTURE MUST BE LEVEL.
2. WHEN THE SPECIFIED LOADS ARE APPLIED, THE CEILING STRUCTURE MUST PREVENT THE STERIS CEILING PLATE FROM TIPPING MORE THAN 0.2°.
3. STERIS RECOMMENDS A CEILING STRUCTURE THAT CAN ACCOMMODATE THE MAXIMUM LOAD CONFIGURATION TO ALLOW THE GREATEST FLEXIBILITY FOR INITIAL INSTALLATION AS WELL AS THE ADDITION OF COMPONENTS IN THE FUTURE. THE MAXIMUM LOAD CONFIGURATION IS DFPM, 785, 785, VIDEO DOCK, AUX DFPM WITH A LOAD OF 741LBS (336KG) AND A MOMENT OF 2604FT-LBS (3531NM) (FOR MORE SPECIFIC LOADING INFORMATION SEE PAGE 2)



MOUNTING HOLE CHART					
HOLES	BOLT DIA.	QTY.	BOLT CIRCLE DIA.	HOLE TO HOLE	PLATE TO PLATE
A	5/8"	4	14.500" [368mm]	10.25" [260mm]	7.75" [197mm]
B	3/8"	6	16.748" [425mm]	8.37" [213mm]	3" [76mm]
C	1/2"	4	14.500" [368mm]	10.25" [260mm]	6" [152mm]
D	5/8"	4	11.126 [283mm]	7.87" [200mm]	7.75" [197mm]
E	5/8"	6	10.626" [270mm]	5.31" [135mm]	7.75" [197mm]
F	3/4"	4	13.346" [339mm]	9.44" [240mm]	7.75" [197mm]

ALL DIMENSIONS ARE IN INCHES  
ALSO REFER TO GENERAL NOTES  
APPLICABLE TO EQUIPMENT DRAWINGS

**STERIS®**

STERIS Corporation  
Mentor, OH

**SUPPORT STRUCTURE  
DETAIL**

Reno rooms for Cardiac Surgery  
LED01N - Harmony LED Dual 585

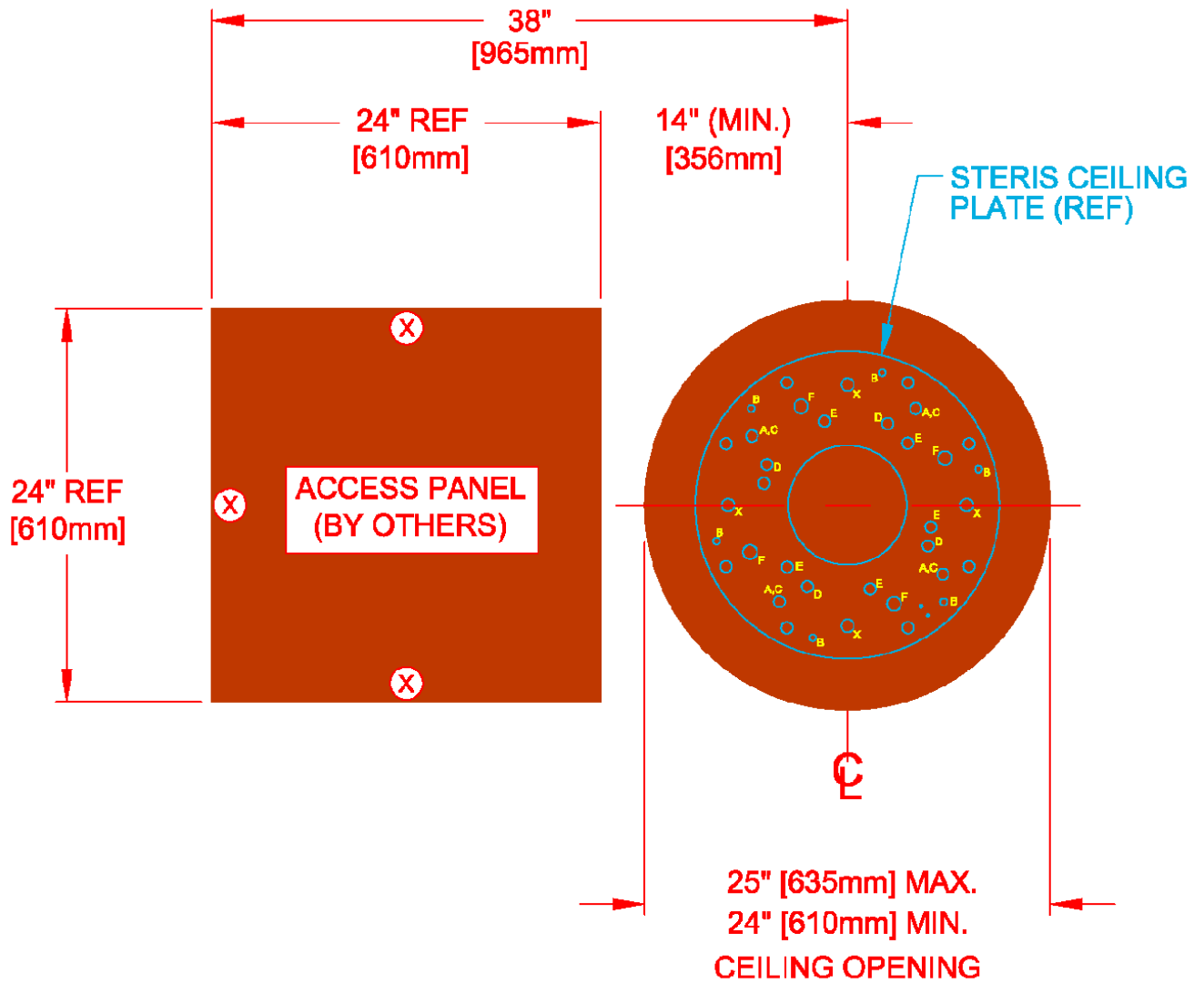
ACCOUNT NAME  
Kelowna Cardio Rooms

ACCOUNT LOCATION  
Kelowna British Columbia

FILE NAME  
Kelowna Dual Light Post Configuration cut sheet


PRINTED DATE  
9/26/2011

SHEET  
7 of 9

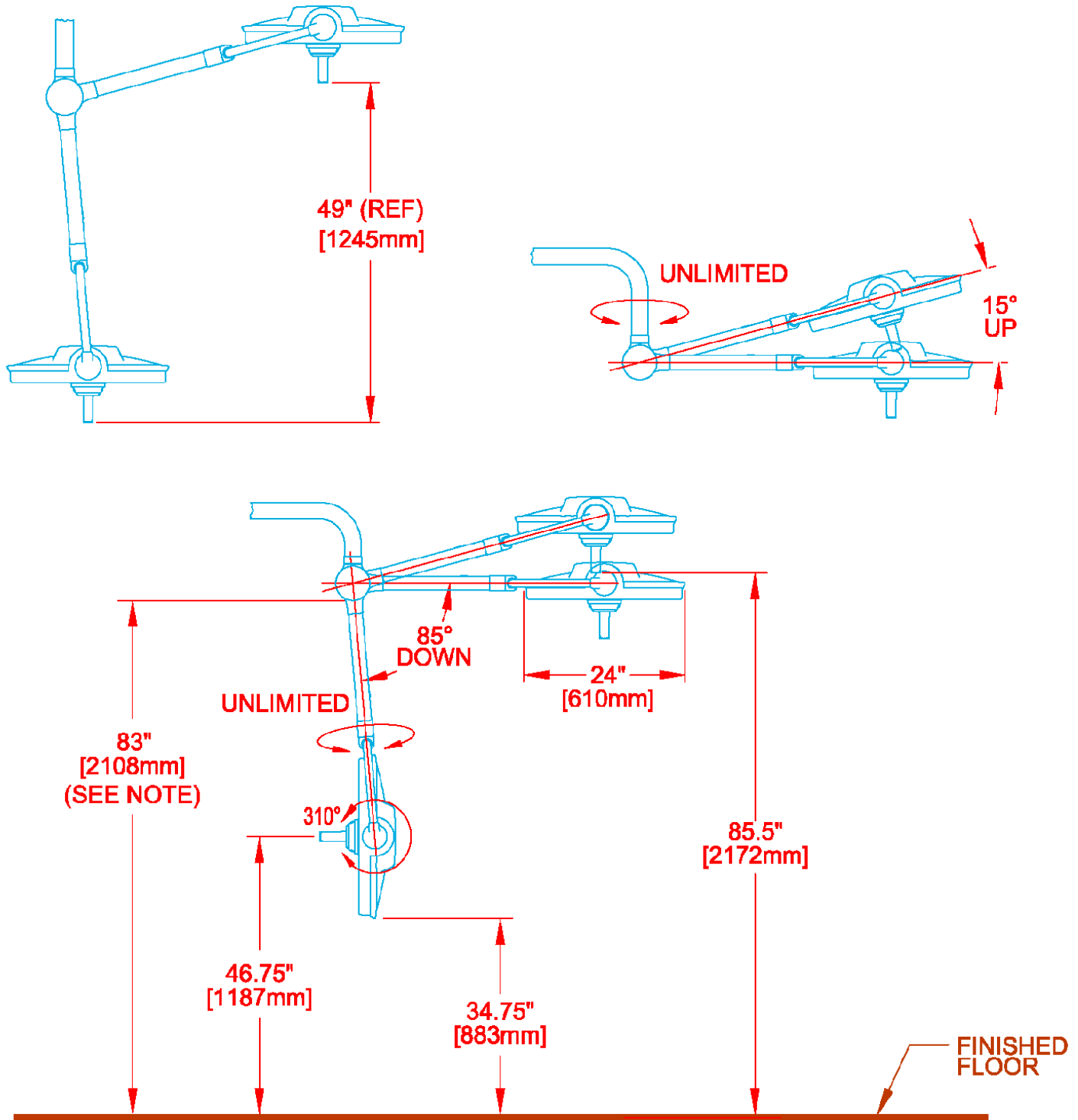


**NOTES:**

1. (X) RECOMMENDED HINGE LOCATIONS.
2. WHILE REQUIRED FOR SYSTEMS THAT HAVE MONITORS, IT IS HIGHLY RECOMMENDED THAT A 24" SQUARE HINGED SERVICE ACCESS PANEL BE PROVIDED IN THE CEILING WITHIN 38" OF THE SPINDLE FOR WIRING AND SERVICE ACCESSIBILITY. ACCESS PANEL EDGE MUST BE NO LESS THAN 14" FROM SPINDLE CENTERLINE FOR ACCOMMODATION OF AMBIENT LIGHT ACCESSORY.

ALL DIMENSIONS ARE IN INCHES ALSO REFER TO GENERAL NOTES APPLICABLE TO EQUIPMENT DRAWINGS  <b>STERIS®</b>  STERIS Corporation Mentor, OH	<b>CEILING ACCESS DETAIL</b>		ACCOUNT NAME Kelowna Cardio Rooms
	Reno rooms for Cardiac Surgery LED01N - Harmony LED Dual 585		ACCOUNT LOCATION Kelowna British Columbia
		Kelowna FILE NAME Kelowna Dual Light Post Configuration cut sheet	PRINTED DATE 9/26/2011
			SHEET 8 of 9





**NOTE:**  
IF CEILING SUSPENSION IS INSTALLED AT A HEIGHT OTHER THAN THE PREFERRED 83" CLEARANCE, THE REMAINING DIMENSIONS TO THE FLOOR WILL CHANGE ACCORDINGLY.

ALL DIMENSIONS ARE IN INCHES  
ALSO REFER TO GENERAL NOTES  
APPLICABLE TO EQUIPMENT DRAWINGS

**STERIS®**



STERIS Corporation  
Mentor, OH

**STERIS LED585  
SPRING ARM AND LIGHTHEAD**

Reno rooms for Cardiac Surgery  
LED01N - Harmony LED Dual 585

ACCOUNT NAME  
Kelowna Cardio Rooms

ACCOUNT LOCATION  
Kelowna British Columbia

FILE NAME  
Kelowna Dual Light Post Configuration cut sheet

PRINTED DATE  
9/26/2011

SHEET 9 of 9