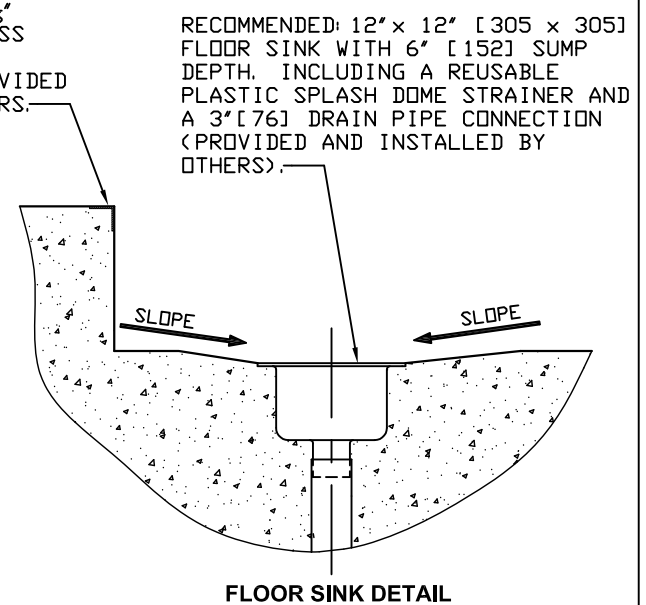
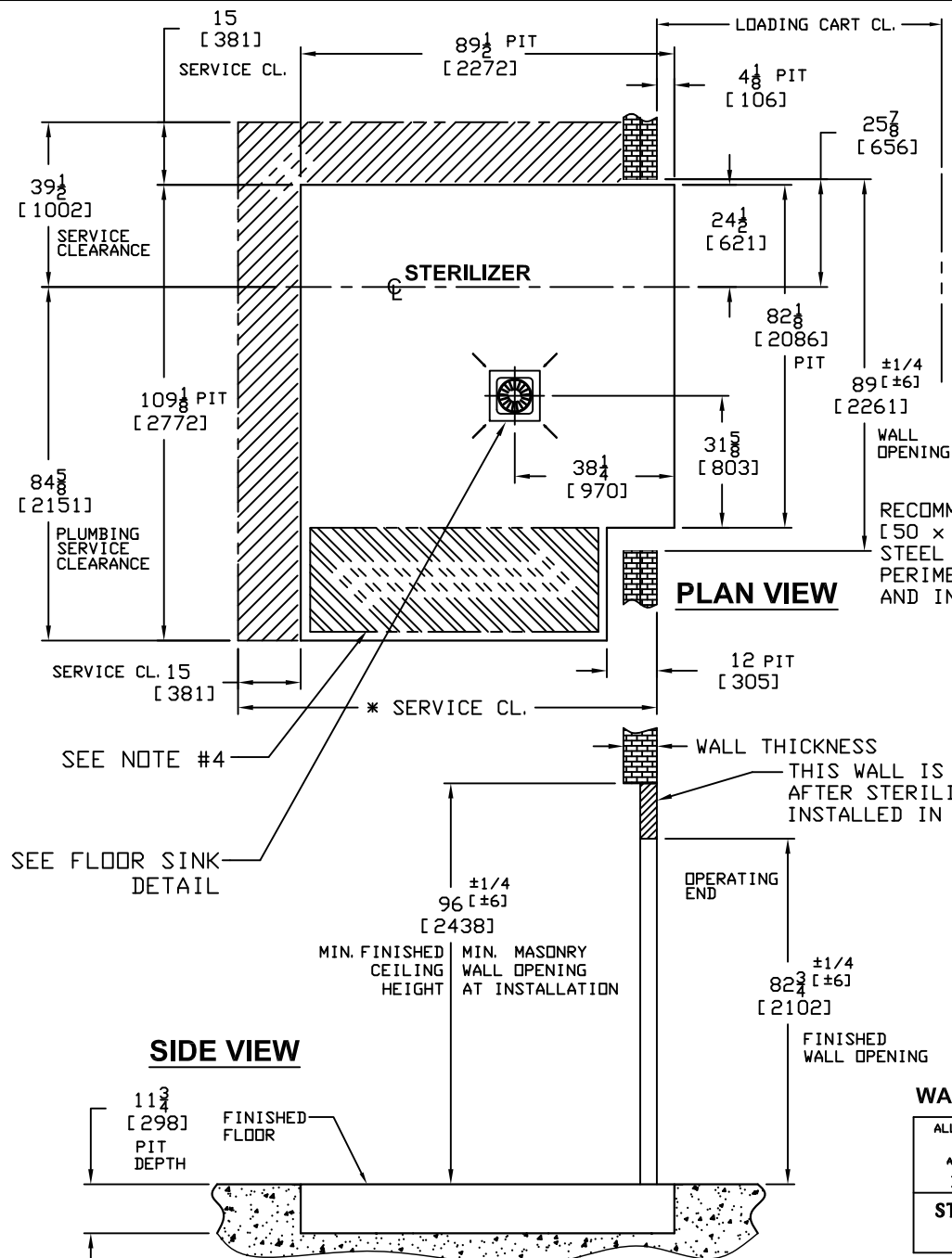


SIZE	* SERVICE CL.	LOADING CART CL.
26 X 61 X 72 (660 X 1550 X 1829)	100 1/4 (2546)	71 (1803)

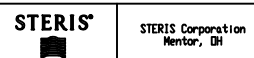
**NOTES:**

1. WALL THICKNESS: 4" TO 8" (102-203).
2. ALL DIMENSIONS IN INCHES AND (MM).
3. THESE SERVICE CLEARANCES MUST BE MAINTAINED TO ALLOW ACCESS TO STERILIZER FOR SERVICEABILITY.
4. THE SHADED PIT FLOOR SURFACE FOR SERVICE CLEARANCE, MUST BE SMOOTH WITH NO OBSTRUCTIONS (SUCH AS PIPING, WIRING, FLOOR SINKS, ETC.). THIS OBSTRUCTION FREE CLEARANCE MUST EXTEND TO A HEIGHT OF AT LEAST 77" (1965) IN ORDER TO PROPERLY SERVICE THE PIPING SKID.



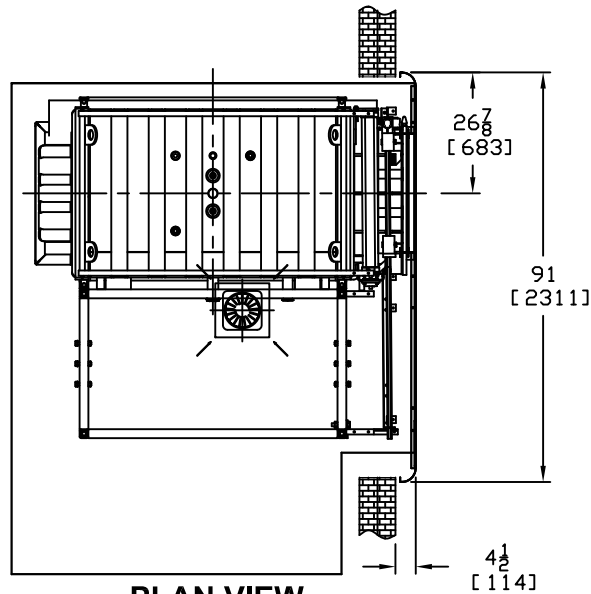
**WALL OPENINGS, PIT SIZE AND SERVICE CLEARANCES**

ALL DIMENSIONS ARE IN INCHES (MILLIMETERS) ALSO REFER TO GENERAL NOTES APPLICABLE EQUIPMENT DRAWINGS DWG. NO. 62941-091	26 x 61 x 72 EVOLUTION PIT MOUNTED FLOORLOADER STEAM STERILIZER SINGLE L.H. SLIDING DOOR RECESSED ONE WALL STEAM HEAT	EQUIPMENT DRAWING NO. 129391-138 ITEM _____ LOCATION(S) _____
---	--	--

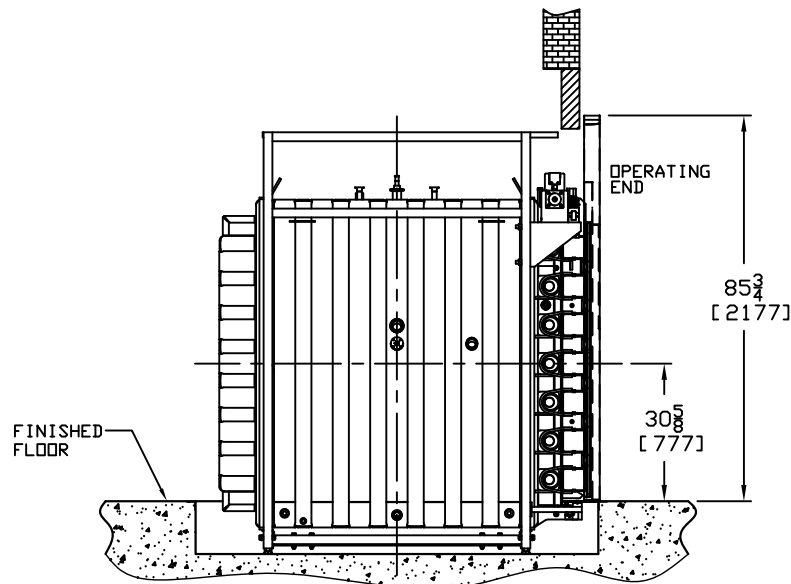


**GENERAL NOTES:**

1. ALL DIMENSIONS IN INCHES AND (MM).
2. UNIT SIZE: UNIT WIDTH IS 45" [1143]. DOOR OPENINGS IN FACILITY MUST BE 46" [1168] WIDE OR LARGER TO ACCOMMODATE STERILIZER. UNIT HEIGHT IS 94" [2388] RECOMMENDED. REMOVING TOP FRAME AND PIPING LOWERS HEIGHT TO 84½" [2146] NOT RECOMMENDED FOR DOOR CLEARANCE.
3. CURB WEIGHTS:  
 26 x 61 x 72 SD VESSEL = 6327 LBS. (2870 KG.)  
 PIPING STAND = 525 LBS. (238 KG.)
4. MAXIMUM OPERATING WEIGHT BASED ON CHAMBER FULLY LOADED:  
 26 X 61 X 72 - 8812 LBS (3997 KG)
5. FACILITY MUST PROVIDE REGULATED STEAM PRESSURE IN THE DYNAMIC RANGE SPECIFIED. FAILURE TO DO SO WILL RESULT IN IMPROPER EQUIPMENT OPERATION.
6. HEAT LOSS BTU/HR AT 70°F (21°C):  
 FRONT OF WALL: 6,000 BTU/HR (6,330 KILOJDOULE)  
 BACK OF WALL: 22,040 BTU/HR (23,253 KILOJDOULES)
7. ALL MATERIAL, CONCRETE, FLOOR SINK AND LABOR FOR CONSTRUCTION OF THE FACILITY TO BE BY OTHERS.
8. IT IS RECOMMENDED THAT THE CONCRETE SLAB BELOW THE STERILIZER BE FLAT AND APPROPRIATELY SEALED TO PREVENT WATER ABSORPTION. IT IS GENERALLY ONLY NECESSARY TO SLOPE THE PIT FINISHED FLOOR AROUND THE FLOOR SINK, APPROXIMATELY 18" [457] OUT FROM THE PERIMETER, ¼" [3] TO ½" [6] PER 12" [305] TO PROMOTE DRAINAGE.
9. THE FLOOR SINK AND DRAIN LINE CAPACITY MUST BE ABLE TO HANDLE THE MAXIMUM WATER AND STEAM CONDENSATE DISCHARGED FROM THE UNIT. THE MAXIMUM DISCHARGE TEMPERATURE IS NOT TO EXCEED 140°F [60°C].
10. THE FINISHED FLOOR SURFACE TO BE LEVEL IN FRONT OF THE STERILIZER.
11. LEVELING FEET ARE PROVIDED FOR PROPER INSTALLATION.
12. THE STERILIZER HAS 8 LEVELING LEGS. MAXIMUM SUPPORT PRESSURE IS BASED ON CALCULATIONS WHERE THE CHAMBER SIDE LAYS ON THREE LEGS.
13. STERIS ASSUMES NO RESPONSIBILITY FOR CHANGES MADE NECESSARY THROUGH FAILURE TO OBSERVE THE SPECIFICATIONS ON EQUIPMENT DRAWING AND NOTE PAGES. SPECIFICATIONS AND DESCRIPTIONS ARE SUBJECT TO CHANGE WITHOUT NOTICE.



**PLAN VIEW**



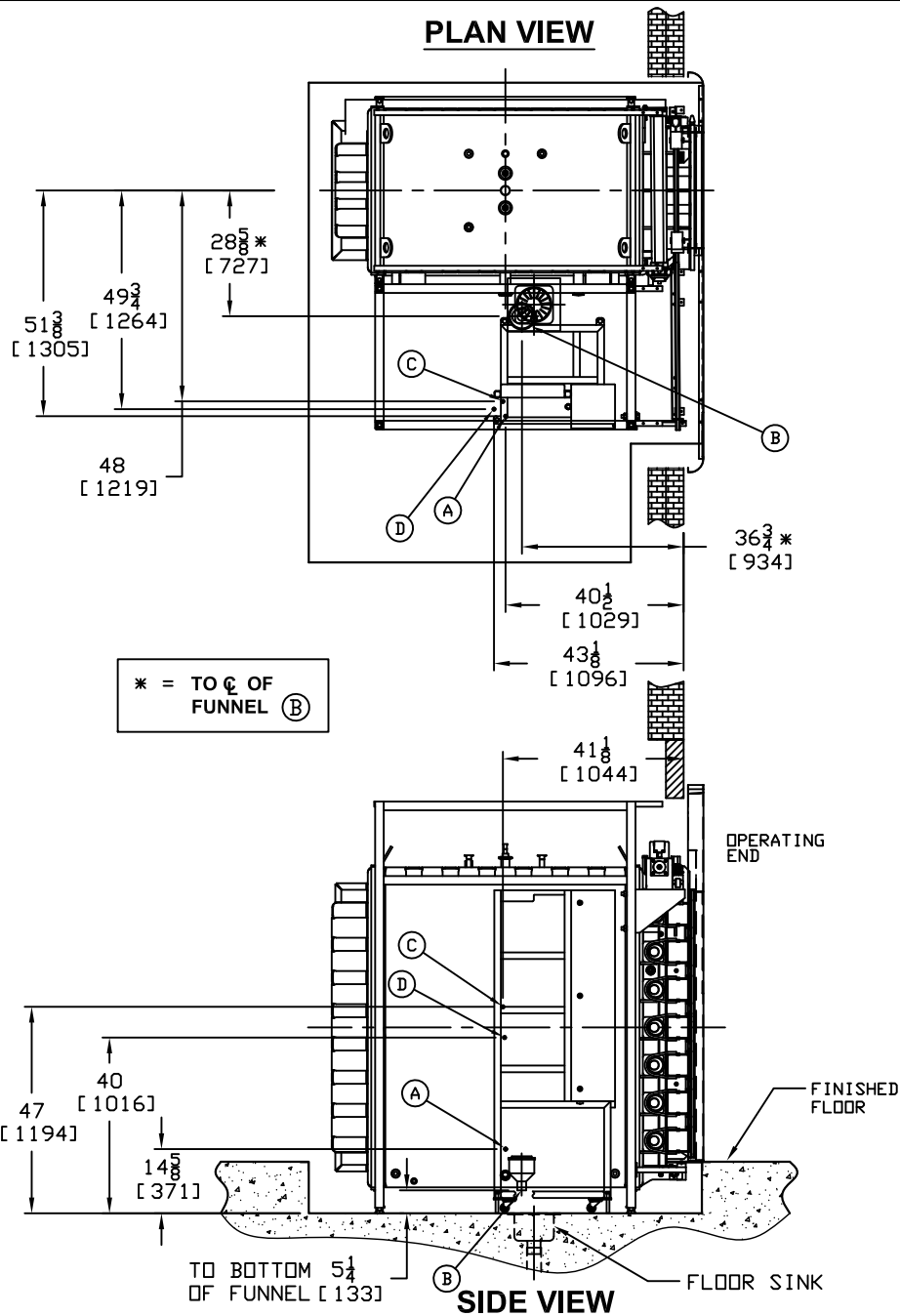
**SIDE VIEW**

**STERILIZER INSTALLATION**

SHT. 2 OF 6

ALL DIMENSIONS ARE IN INCHES (MILLIMETERS) ALSO REFER TO GENERAL NOTES APPLICABLE TO EQUIPMENT DRAWINGS DWG. NO. 62941-091	26 x 61 x 72 EVOLUTION PIT MOUNTED FLOORLOADER STEAM STERILIZER SINGLE L.H. SLIDING DOOR RECESSED ONE WALL STEAM HEAT	EQUIPMENT DRAWING NO. 129391-138 ITEM _____ LOCATION(S) _____
--	--	--

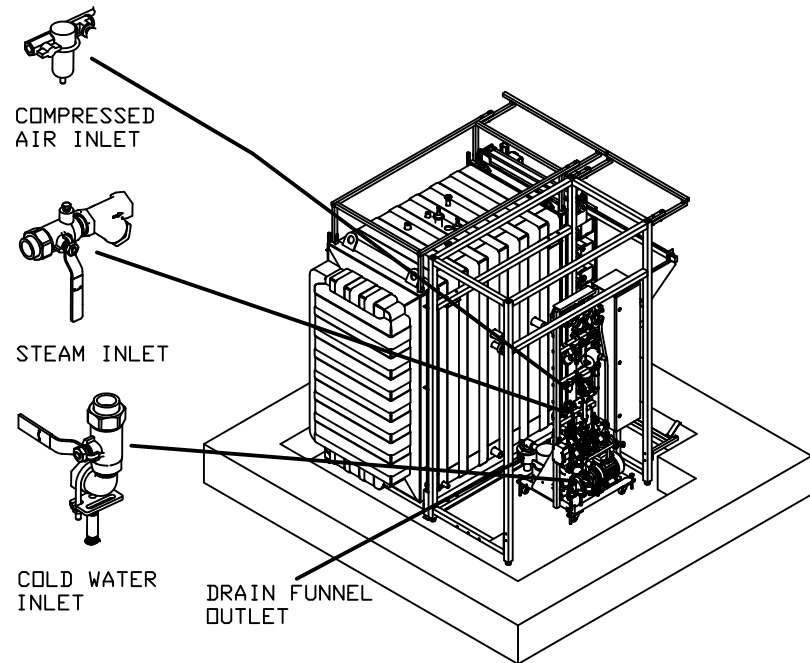
**PLAN VIEW**



**PLUMBING CONNECTIONS-DOM. AND INT'L.**

- (A) STERILIZER COLD WATER
- (B) STERILIZER DRAIN
- (C) STERILIZER COMPRESSED AIR
- (D) STERILIZER STEAM

**NOTE:** SEE SHEET 4 FOR PLUMBING INSTALLATION SPECS. AND PLUMBING REQUIREMENTS.



**PLUMBING CONNECTIONS**

SHT. 3 OF 6

<p>ALL DIMENSIONS ARE IN INCHES (MILLIMETERS)</p> <p>ALSO REFER TO GENERAL NOTES APPLICABLE EQUIPMENT DRAWINGS</p> <p>DWG. NO. 62941-091</p> <p><b>STERIS</b></p>	<p>STERIS Corporation Mentor, OH</p>	<p>26 x 61 x 72 EVOLUTION PIT MOUNTED FLOORLOADER STEAM STERILIZER SINGLE L.H. SLIDING DOOR RECESSED ONE WALL STEAM HEAT</p>	<p>EQUIPMENT DRAWING NO. 129391-138</p>
		<p>ITEM _____</p> <p>LOCATION(S) _____</p>	<p>_____</p>

**INSTALLATION SPECIFICATIONS:**

THE INSTALLATION OF THE EVOLUTION STERILIZER MUST MEET ALL APPLICABLE REGULATIONS.


INSTALLATION SPECIFICATION IS LISTED AS ENGINEERING AND INSTALLATION GUIDES. REFERENCED COMPONENTS AND SERVICE CONNECTIONS ARE NOT FURNISHED AS PART OF EQUIPMENT UNLESS UNDER WRITTEN AGREEMENT WITH STERIS.

1. PIPE SIZES LISTED UNDER **PLUMBING REQUIREMENTS** INDICATE THE EQUIPMENT TERMINATION SIZES ONLY. SIZE PIPING TO EQUIPMENT DEPENDING ON LENGTH OF PIPE RUN FROM PRESSURE REGULATING STATION FOR STEAM LINE, AIR AND MAIN WATER HEADERS. TO SUPPLY THE SPECIFIED SERVICE PRESSURE AND FLOW RATE AT EQUIPMENT TERMINALS, INCLUDE EFFECT OF COINCIDENT DRAW OF MULTIPLE UNIT INSTALLATIONS.
2. PROVIDE PIPING, SHUT-OFF VALVE, PIPE PLUGGED TEE, AND UNION IN STEAM, AIR AND WATER SUPPLY CONNECTION BETWEEN EQUIPMENT AND STUB OUTS. PLUGGED TEE CAN LATER BE USED FOR TEST PRESSURE GAUGE CONNECTION. ARRANGE CONNECTION PIPING TO ALLOW ACCESS TO MACHINE COMPONENTS AND ELECTRICAL CONTROL PANEL.
3. RECOMMEND PROVISION OF BLOW DOWN VALVE AT EACH STEAM, AIR AND WATER STRAINER TO ENABLE STRAINER CLEAN OUT.
4. FOR RECOMMENDED FEED WATER QUALITY FOR STERILIZERS SEE STERIS DWG. NO. 62941-091
5. BLOW DOWN BUILDING STEAM, AIR AND WATER SUPPLY LINES BEFORE FINAL CONNECTION TO EQUIPMENT.
6. THE STERILIZER IS NOT SUPPLIED WITH A VACUUM BREAKER OR BACKFLOW PREVENTER AND WHERE REQUIRED BY LOCAL CODES, INSTALLATION OF SUCH A DEVICE IN WATER LINE IS BY OTHERS.
7. **CLEAN STEAM NOTE:** STEAM SUPPLIED TO STERILIZER MUST BE MADE FROM WATER FREE OF SULFITES, HYDRAZINE, ANTI-SCALING COMPOUNDS AND CORROSION CONTROL CHEMICALS.
8. FOR GENERAL INSTALLATION INFORMATION SEE STERIS DRAWING NO. 62941-091. (THIS DWG. SHOULD ALWAYS ACCOMPANY THE EQUIPMENT DWGS.) IF DWG. IS NOT ATTACHED, CONTACT STERIS SERVICE ENGINEERING AT 1-800-333-8848 TO OBTAIN A COPY.
9. **OPTIONAL AIR COMPRESSOR:** MEASURES 14'L x 14"W x 12"H AND OPERATES AT 120VAC, 60Hz, 6.9 AMPS. FOR USE ON ALL DOMESTIC EVOLUTION (HEALTHCARE) AND EVOLUTION-L (LAB-SCI) STERILIZERS EXCEPT FOR LAB-SCI DOUBLE DOOR UNITS.
10. **PLACEMENT OF PIPING SHUTOFFS:** WHEN INSTALLING, SHUTOFFS MUST BE LOCATED IN A SUITABLE LOCATION WITHIN LINE OF SIGHT AND CLEAR OF ANY OBSTRUCTIONS THAT WOULD PUT THE SERVICE PERSON IN **HARMS WAY** IN ORDER TO SHUT IT OFF.

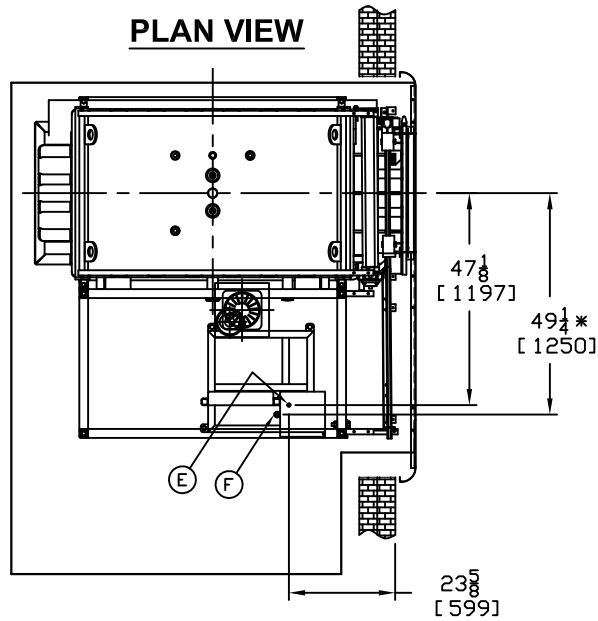
**PLUMBING REQUIREMENTS-DOM. AND INT'L.**

- (A) STERILIZER COLD WATER: (SEE NOTE #4)  
 SUPPLY TEMPERATURE REQUIREMENT IS 59°F (15°C) MAX., VACUUM EFFICIENCY IS REDUCED AT WATER TEMPERATURES ABOVE 70°F (21°C).  
 3/4" NPT  
 20-50 PSIG DYNAMIC (1.38-3.45 bar)  
 CONSUMPTION IN CYCLE:  
 PEAK- 18.4 gpm (69.7 lpm)  
 AVERAGE-26 X 61 X 72 318 gal/cycle (1,204 l/cycle)  
 CONSUMPTION OUT OF CYCLE:  
 AVERAGE-26 X 61 X 72 7 gal/hr (.4 lpm)
- (B) STERILIZER DRAIN:  
 2" ODT  
 (FLOOR DRAIN CAPACITY MUST HANDLE PEAK WATER CONSUMPTION).
- (C) STERILIZER COMPRESSED AIR: (SEE NOTE #9)  
 1/4" NPT  
 80-120 PSIG DYNAMIC (5.5-8.3 bar)  
 OIL FREE, DRY (DEHUMIDIFIED)  
 3 CFM (5.1 CMH)
- (D) STERILIZER STEAM:  
 3/4" NPT  
 97 TO 100% VAPOR QUALITY  
 DYNAMIC PRESSURE 50-80 PSIG (3.4-5.5 bar)  
 CONSUMPTION IN CYCLE: (DOMESTIC PREVAC CYCLE)  
 PEAK- 455 PPH (206 kg/hr)  
 AVERAGE-26 X 61 X 72 139 lb/cycle (63 kg/cycle)  
 CONSUMPTION OUT OF CYCLE:  
 AVERAGE-26 X 61 X 72 28 lb/hr (12.7 kg/hr)

**CHECK ALL NATIONAL CODES AND STANDARDS** SHT. 4 OF 6

ALL DIMENSIONS ARE IN INCHES (MILLIMETERS) ALSO REFER TO GENERAL NOTES APPLICABLE TO EQUIPMENT DRAWINGS DWG. NO. 62941-091	26 x 61 x 72 EVOLUTION PIT MOUNTED FLOORLOADER STEAM STERILIZER SINGLE L.H. SLIDING DOOR RECESSED ONE WALL STEAM HEAT	EQUIPMENT DRAWING NO. 129391-138 ITEM _____ LOCATION(S) _____
	STERIS Corporation Mentor, OH	

**PLAN VIEW**

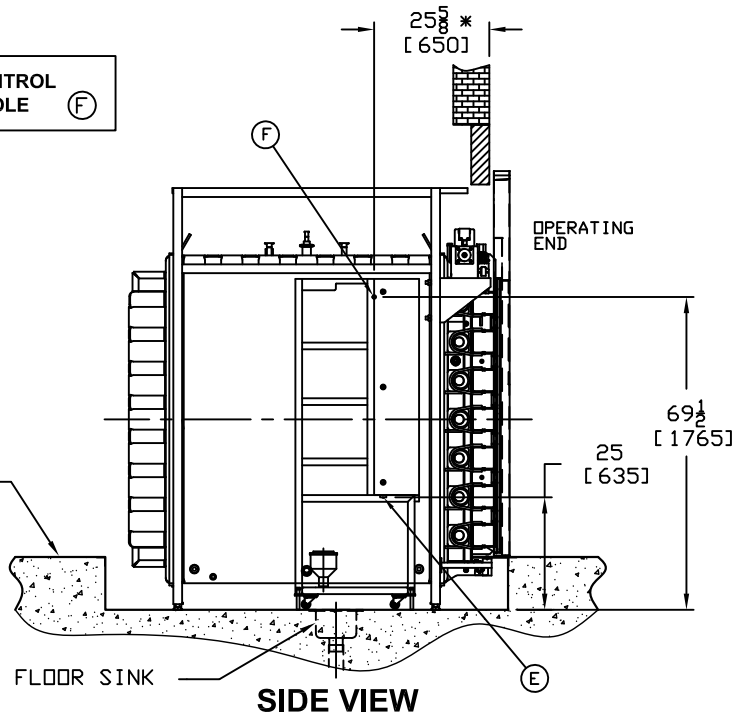


**ELECTRICAL CONNECTIONS-DOM. AND INT'L.**

- ⓔ STERILIZER ETHERNET
- ⓕ STERILIZER POWER

**NOTE:** SEE SHEET 6 FOR ELECTRICAL INSTALLATION SPECS. AND ELECTRICAL REQUIREMENTS.

\* = TO CONTROL BOX HOLE ⓕ



**ELECTRICAL CONNECTIONS**

SHT. 5 OF 6

ALL DIMENSIONS ARE IN INCHES (MILLIMETERS) ALSO REFER TO GENERAL NOTES APPLICABLE TO EQUIPMENT DRAWINGS DWG. NO. 62941-091 <b>STERIS</b> STERIS Corporation Mentor, OH	26 x 61 x 72 EVOLUTION PIT MOUNTED FLOORLOADER STEAM STERILIZER SINGLE L.H. SLIDING DOOR RECESSED ONE WALL STEAM HEAT	EQUIPMENT DRAWING NO. 129391-138
		ITEM _____ LOCATION(S) _____ _____

**INSTALLATION SPECIFICATIONS:**

THE INSTALLATION OF THE EVOLUTION STERILIZER MUST MEET ALL APPLICABLE REGULATIONS.

INSTALLATION SPECIFICATION IS LISTED AS ENGINEERING AND INSTALLATION GUIDES. REFERENCED COMPONENTS AND SERVICE CONNECTIONS ARE NOT FURNISHED AS PART OF EQUIPMENT UNLESS UNDER WRITTEN AGREEMENT WITH STERIS.

1. PROVIDE GROUPED OR GANGED CIRCUIT PROTECTION AND DISCONNECT FOR STERILIZER POWER (F) AS REQUIRED BY CODES AND STANDARDS. INDIVIDUAL POWER SHUTOFFS REQUIRED NEAR EACH MACHINE FOR SERVICING.
2. PROVIDE GROUNDED METAL CONDUIT AND WIRING BETWEEN EQUIPMENT TERMINALS AND STUB OUTS OR DISCONNECTS. CHECK LOCAL CODES FOR MINIMUM WIRE SIZES. SEE (F) FOR MINIMUM RECOMMENDED WIRE SIZES FOR STERILIZER CONNECTIONS.
3. FOR GENERAL INSTALLATION INFORMATION SEE STERIS DRAWING NO. 62941-091. (THIS DWG. SHOULD ALWAYS ACCOMPANY THE EQUIPMENT DWGS.) IF DWG. IS NOT ATTACHED, CONTACT STERIS SERVICE ENGINEERING AT 1-800-333-8848 TO OBTAIN A COPY.
4. **PLACEMENT OF ELECT. DISCONNECTS:** WHEN INSTALLING; DISCONNECTS MUST BE LOCATED IN A SUITABLE LOCATION WITHIN LINE OF SIGHT AND CLEAR OF ANY OBSTRUCTIONS THAT WOULD PUT THE SERVICE PERSON IN **HARMS WAY** IN ORDER TO SHUT IT OFF. ALSO, THE LOCATION OF THE DISCONNECTS SHOULD ALLOW THE SERVICE PERSON TO SHUTOFF POWER FROM THE SIDE TO PREVENT POSSIBLE ARC FLASH.

**ELECTRICAL REQUIREMENTS-DOM. AND INT'L.**

(E) STERILIZER ETHERNET:  
10/100 BASE T SUPPORTING TCP/IP PROTOCOL RJ45F CONNECTION


(F) STERILIZER POWER:  
DOMESTIC:  
208/240V, 50/60HZ, 12A, (3) PHASE. MINIMUM 16A CIRCUIT BREAKER RECOMMENDED. MINIMUM RECOMMENDED LINE & GROUND CONDUCTOR SIZE AWG #12 COPPER (2.05 MM)  
OR 480V, 50/60HZ, 6A, (3) PHASE. MINIMUM 8A CIRCUIT BREAKER RECOMMENDED. MINIMUM RECOMMENDED LINE & GROUND CONDUCTOR SIZE AWG #14 COPPER (1.63 MM)

INTERNATIONAL:  
400V, 50HZ, 6A, (3) PHASE. MINIMUM 8A CIRCUIT BREAKER RECOMMENDED. MINIMUM RECOMMENDED LINE & GROUND CONDUCTOR SIZE AWG #14 COPPER (1.63 MM)

208VAC AND 240VAC REQUIRE A FOUR (4) WIRE "Y" CONNECTION (L1, L2, L3, GND.)

400VAC AND 480VAC REQUIRE A FIVE (5) WIRE "Y" CONNECTION (L1, L2, L3, NEUT, GND.)

**CHECK ALL NATIONAL CODES AND STANDARDS** SHT. 6 OF 6

<p>ALL DIMENSIONS ARE IN INCHES (MILLIMETERS) ALSO REFER TO GENERAL NOTES APPLICABLE TO EQUIPMENT DRAWINGS DWG. NO. 62941-091</p>	<p>26 x 61 x 72 EVOLUTION PIT MOUNTED FLOORLOADER STEAM STERILIZER SINGLE L.H. SLIDING DOOR RECESSED ONE WALL STEAM HEAT</p>	<p>EQUIPMENT DRAWING NO. 129391-138 ITEM _____ LOCATION(S) _____</p>
	<p>STERIS Corporation Mentor, OH</p>	