

HOLOGIC, INC.

FINAL 'HORIZON - W' ROOM PLANS

TYPICAL HOSPITAL CITY, STATE

DRAWING LEGEND

SHEET	DESCRIPTION
1.0	COVER / TITLE
2.0	FINAL ROOM PLAN
2.2	STRUCTURAL PLAN
3.0	ELECTRICAL PLAN
3.1	ELECTRICAL DETAILS, NOTES
4.0	GENERAL NOTES

Hologic, Inc., PROPOSED 35 Crosby Drive, Bedford, MA 01730			
REV. AUTHORED BY	DATE	DOCUMENT NUMBER	REV.
REV. DRAFTED BY	DATE		0.1
REV. RELEASE DATE		SIZE	B ARCH

THIS DOCUMENT CONTAINS PROPRIETARY DATA OF HOLOGIC, INC. AND SHALL NOT BE USED FOR PURPOSES OTHER THAN THOSE AGREED UPON BETWEEN HOLOGIC AND ITS CUSTOMER. THIS DRAWING IS NOT TO BE USED FOR CONSTRUCTION PURPOSES.

TYPICAL HOSPITAL
FINAL ROOM PLAN
CITY, STATE
THESE DRAWINGS ARE FOR
REVIEWING PURPOSES ONLY

DATE: 06-01-13	SCALE: 3/8"=1'-0"	DRAWN BY: TOZ	PURCHASE ORDER:
PROJECT NO: 13***F			SHEET NO: 1.0

EQUIPMENT LEGEND

N/A = NOT AVAILABLE

ITEM	DESCRIPTION	BTU/HR	WT/LBS	WIDTH	DEPTH	HEIGHT
1	HOLOGIC 'HORIZON W' OPERATOR CONSOLE		75 34kg	24" 61cm	30" 76cm	47" 119cm
2	HOLOGIC 'HORIZON W' TABLE	3400	686 311kg	79.5" 202cm	50.75" 129cm	56" 142cm

NOTES

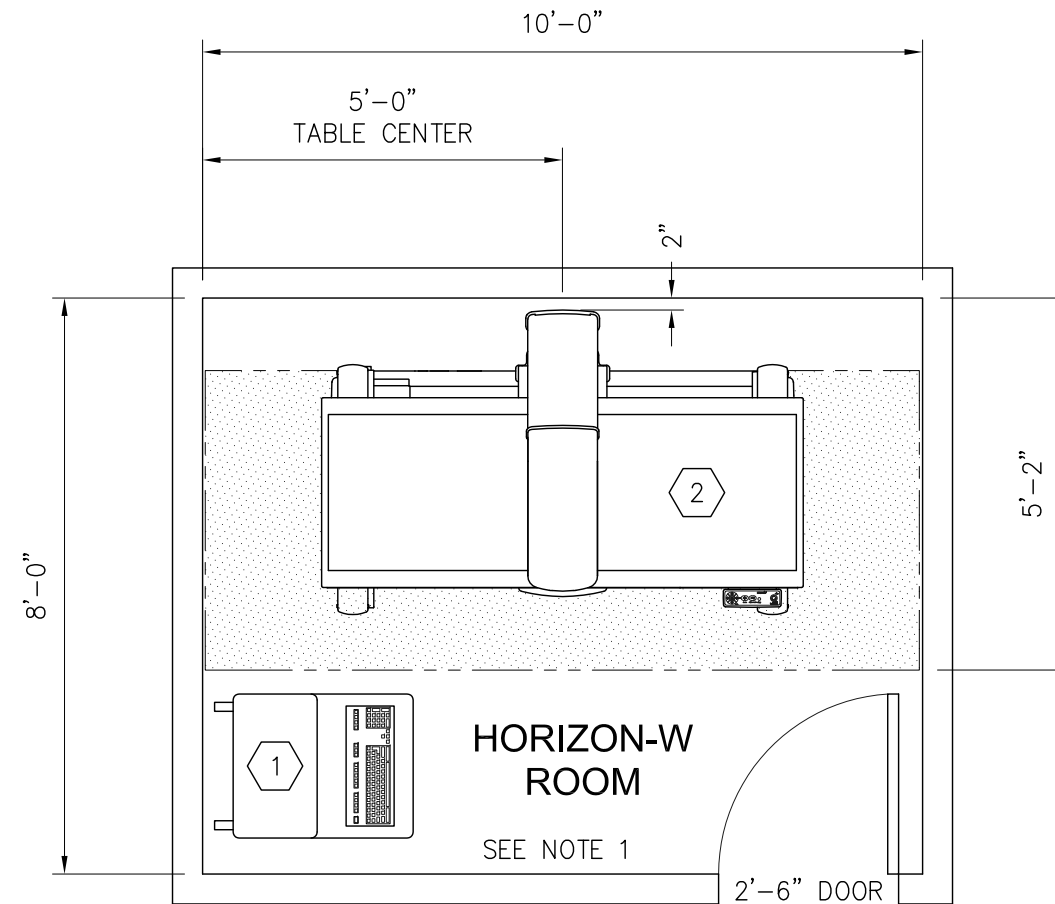
NOTE 1: ALL RADIATION PROTECTION TO BE DESIGNED BY, OR APPROVED BY, CUSTOMER'S LICENSED RADIATION PHYSICIST.

NOTE 2: EQUIPMENT INSTALLERS WILL USE EXISTING WIREWAYS WHEREVER POSSIBLE. HOSPITAL ENGINEERING DEPARTMENT TO PROVIDE HOLOGIC SITE PLANNING OFFICE WITH AS BUILT DRAWINGS, SHOWING WIREWAY LOCATIONS AND ROUTING ABOVE CEILING AND BELOW FLOOR.

SITE CONDITIONS FOR 'HORIZON W' SYSTEM

MINIMUM CEILING HEIGHT	7'-0" A.F.F.
RECOMMENDED CEILING HEIGHT	8'-0" A.F.F.
AMBIENT CONDITIONS: OPERATING TEMPERATURE	59 - 90° F (15 - 32° C)
RELATIVE HUMIDITY	20 - 80% , NON CONDENSING. MAXIMUM ALLOWABLE CHANGE, 10% /HOUR
EQUIPMENT ENTRY REQUIREMENTS:	
MINIMUM RECOMMENDED CORRIDOR WIDTH	4'-0" (122cm)
MINIMUM DOOR WIDTH	2'-6" x 6'-3" (76cm x 191cm)
RECOMMENDED DOOR WIDTH	3'-0" x 7'-0" (91cm x 213cm)

NOTE: THE EQUIPMENT LAYOUT, ROOM DIMENSIONS, ELECTRICAL AND MECHANICAL DETAILS, ARE BASED ON THE BEST INFORMATION AVAILABLE FROM THE SITE, IN ADDITION TO THE CUSTOMER'S KNOWN REQUIREMENTS. ARCHITECTURAL OR ELECTRICAL CHANGES, INCLUDING RELOCATION OF EQUIPMENT ILLUSTRATED IN THIS DRAWING, ARE ALLOWED ONLY WITH NOTIFICATION IN WRITING, AND REVIEW BY HOLOGIC SERVICE DEPT.. HOLOGIC RESERVES THE RIGHT TO MAKE CHANGES BASED ON THE CUSTOMER'S WISHES, OR PROBLEMS WITH CONSTRUCTION, ETC.



HORIZON W EQUIPMENT PLAN
MINIMUM RECOMMENDED ROOM SIZE

PROPOSED

Hologic, Inc.,
35 Crosby Drive,
Bedford, MA 01730

REV. 0.1

REV. 0.1

REV. 0.1

REV. 0.1

REV. 0.1

REV. 0.1

REV. 0.1

THIS DOCUMENT CONTAINS PROPRIETARY DATA OF HOLOGIC, INC. AND SHALL NOT BE USED FOR PURPOSES OTHER THAN THOSE AGREED UPON BETWEEN HOLOGIC AND ITS CUSTOMER. THIS DRAWING IS NOT TO BE USED FOR CONSTRUCTION PURPOSES.

TYPICAL HOSPITAL
FINAL ROOM PLAN

CITY, STATE
THESE DRAWINGS ARE FOR
REVIEWING PURPOSES ONLY

DATE:
06-01-13

SCALE:
3/8"=1'-0"

DRAWN BY:
TOZ

PURCHASE ORDER:

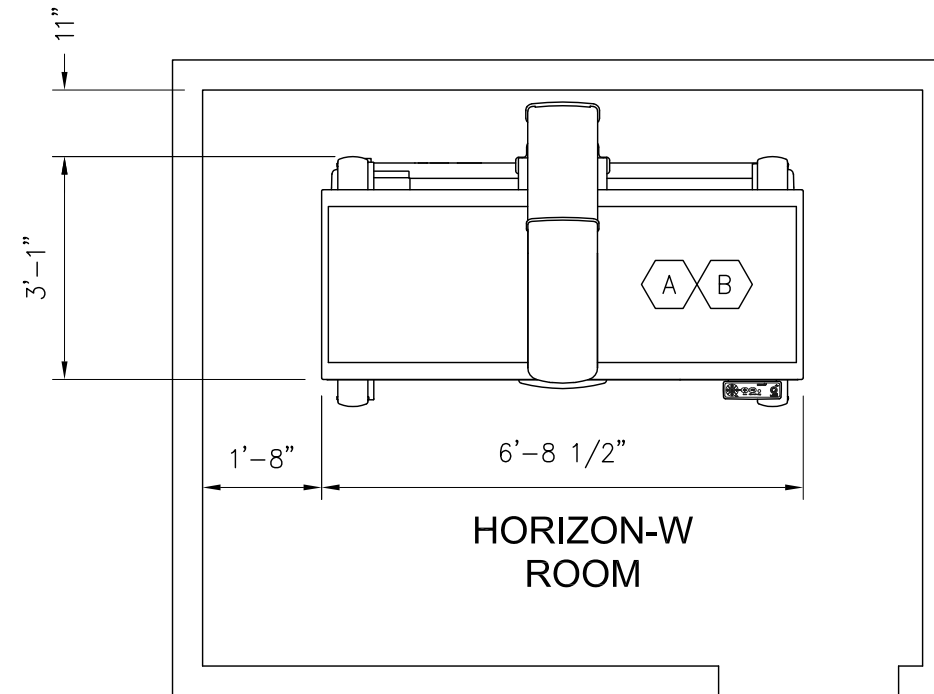
PROJECT NO:
13***F

SHEET NO:
2.0

STRUCTURAL LEGEND

- FUTURE
- EXISTING
- * INSTALLED BY CUSTOMER/CONTRACTOR
- * FURNISHED BY CUSTOMER/CONTRACTOR
- INSTALLED BY XRAY EQUIPMENT VENDOR
- FURNISHED BY XRAY EQUIPMENT VENDOR.

ITEM	DESCRIPTION
(A)	FOOT PRINT OF 'HORIZON' TABLE.
(B)	FLOOR SURFACE TO BE LEVELED TO WITHIN 1" ACROSS 6'-0"
	<u>FLOOR LOADING:</u> 45 LB/FT ²
* (TO BE SUPPLIED AND INSTALLED BY HOSPITAL'S GENERAL CONTRACTOR.)	



STRUCTURAL PLAN

Hologic, Inc., PROPOSED
35 Crosby Drive,
Bedford, MA 01730

REV. AUTHORED BY	DATE	DOCUMENT NUMBER	REV.
REV. DRAFTED BY	DATE		0.1
REV. RELEASE DATE		SIZE	B ARCH

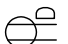



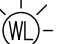
THIS DOCUMENT CONTAINS PROPRIETARY DATA OF HOLOGIC, INC. AND SHALL NOT BE USED FOR PURPOSES OTHER THAN THOSE AGREED UPON BETWEEN HOLOGIC AND ITS CUSTOMER. THIS DRAWING IS NOT TO BE USED FOR CONSTRUCTION PURPOSES.

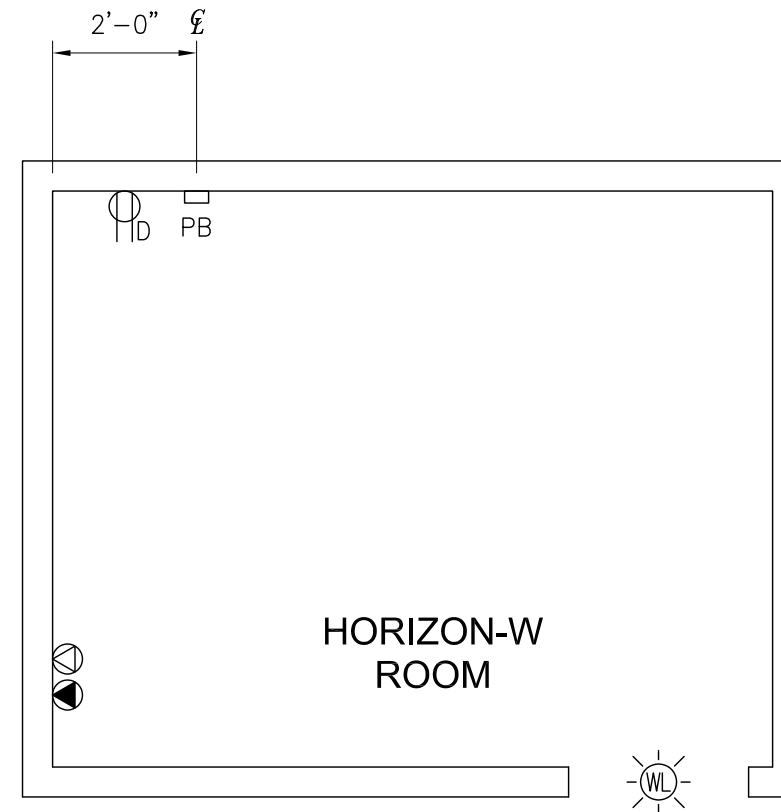
**TYPICAL HOSPITAL
FINAL ROOM PLAN**
CITY, STATE
THESE DRAWINGS ARE FOR
REVIEWING PURPOSES ONLY

DATE:	06-01-13
SCALE:	3/8" = 1'-0"
DRAWN BY:	TOZ
PURCHASE ORDER:	
PROJECT NO:	13***F
SHEET NO:	2.2

ELECTRICAL LEGEND

SUPPLIED AND INSTALLED BY HOSPITAL'S ELECTRICAL CONTRACTOR

ITEM	DESCRIPTION
	DEDICATED 100 – 120VAC, 20 AMP HOSPITAL GRADE DUPLEX OUTLET WITH ISOLATED GROUND.
	WALL OUTLET BOX FOR CAT 5 CABLE. (HOSPITAL NETWORK CONNECTION)
	DEDICATED OUTSIDE PHONE LINE. (CUSTOMER TO DETERMINE REQUIREMENT/LOCATION)
	4" x 2" x 2" PULLBOX WITH COVER, FLUSH MOUNTED APPROXIMATELY 6 – 12" A.F.F. NEAR HORIZON TABLE. PROVIDE 3/4" CONDUIT FROM WARNING LIGHTS. (USED ONLY WHERE REQUIRED BY LOCAL CODE OR CUSTOMER PREFERENCE)
	WARNING LIGHTS, SEE DETAIL SHEET 3.1. (USED ONLY WHERE REQUIRED BY LOCAL CODE OR CUSTOMER PREFERENCE)



ELECTRICAL PLAN

Hologic, Inc., PROPOSED
35 Crosby Drive,
Bedford, MA 01730

REV. AUTHORED BY	DATE	DOCUMENT NUMBER	REV.
			0.1
REV. DRAFTED BY	DATE	SIZE	B ARCH
REV. RELEASE DATE			

THIS DOCUMENT CONTAINS PROPRIETARY DATA OF HOLOGIC, INC. AND SHALL NOT BE USED FOR PURPOSES OTHER THAN THOSE AGREED UPON BETWEEN HOLOGIC AND ITS CUSTOMER. THIS DRAWING IS NOT TO BE USED FOR CONSTRUCTION PURPOSES.

**TYPICAL HOSPITAL
FINAL ROOM PLAN**

CITY, STATE

THESE DRAWINGS ARE FOR
REVIEWING PURPOSES ONLY

DATE:	06-01-13
SCALE:	3/8" = 1'-0"
DRAWN BY:	TOZ
PURCHASE ORDER:	
PROJECT NO:	13***F
SHEET NO:	3.0

ELECTRICAL USE REQUIREMENTS

REQUIREMENT	TABLE
INPUT LINE VOLTAGE	100V 120V 230V
INPUT CURRENT	16.0 14.0 8.0
FREQUENCY	50, 60 HZ
NUMBER OF PHASES	SINGLE

PHYSICAL AND ENVIRONMENTAL REQUIREMENTS

OPERATING TEMPERATURE RANGE	15° C TO 32° C (59° F to 90° F)
OPERATING HUMIDITY RANGE	20% TO 80% NON-CONDENSING
OVERALL DIMENSIONS	202cm (79.5")W x 126cm (49.5") D x 142cm (56") H

DICOM, PACS, LANS/WANS, ETHERNET, MODEMS

NETWORKING NOTES: SUPPLYING AND INSTALLING NETWORK CONNECTIONS BETWEEN DIAGNOSTIC IMAGING EQUIPMENT AND OTHER NODE CONNECTIONS SHALL BE THE CUSTOMER'S RESPONSIBILITY. CUSTOMER MUST SPECIFY, SUPPLY AND INSTALL PROPER RECEPTACLES, AUI TRANSCEIVERS, CABLING, REPEATERS, ROUTERS, MODEMS, ETC. WHICH ARE CONSISTENT WITH THE SITE NEEDS AND SOUND NETWORK IMPLEMENTATION PRACTICES. ALSO INCLUDED, BUT NOT LIMITED TO, THE CUSTOMER'S RESPONSIBILITY IS THE PURCHASE AND INSTALLATION OF CONDUITS AND / OR RACEWAYS FOR CONTAINMENT AND ROUTING OF NETWORKING CABLES, AS DETERMINED BY SITE CONDITIONS OR REQUIRED BY PREVAILING CODES.

HORIZON SYSTEM SPECIFICATIONS

SYSTEM

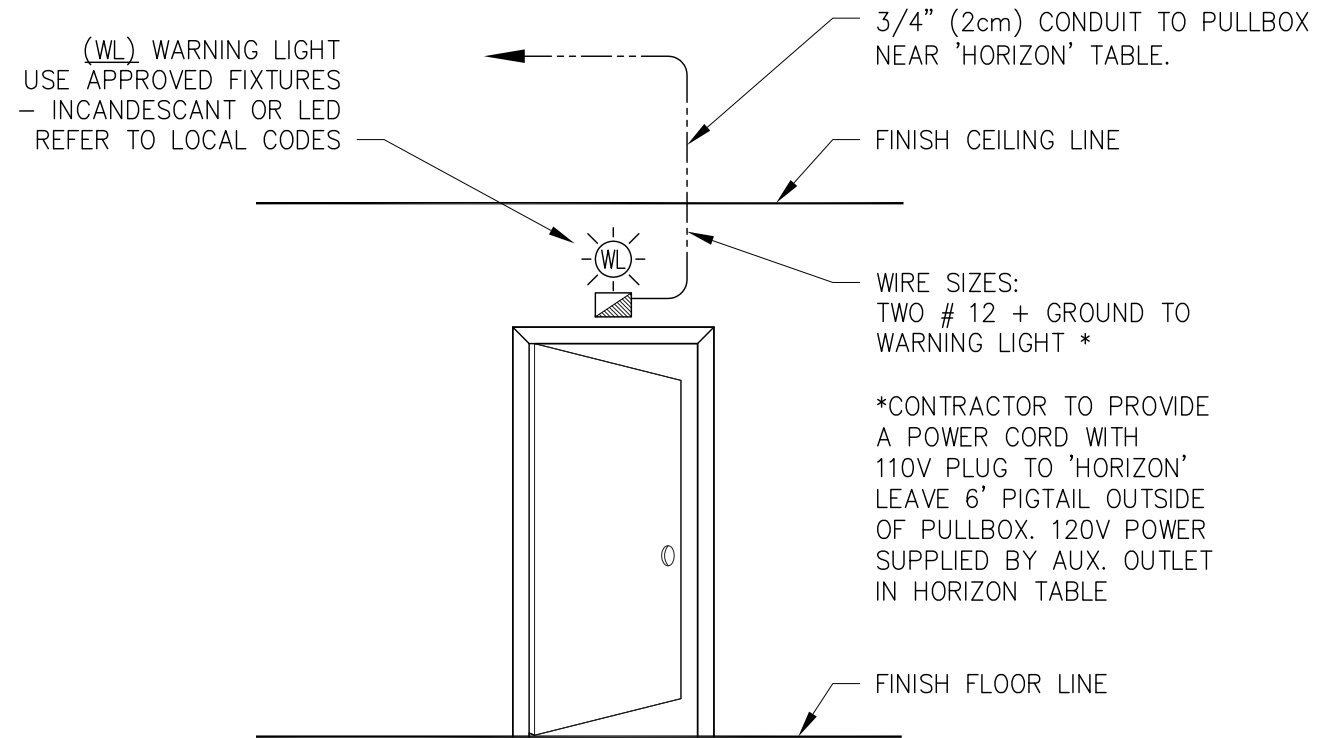
INPUT LINE 100 - 120VAC, 20 AMP, 50-60 HZ,
MAXIMUM APPARENT LINE RESISTANCE (OHMS) .32
230VAC, 20 AMP, 50-60 HZ,
MAXIMUM APPARENT LINE RESISTANCE (OHMS) 1.28

CUSTOMER MUST CONTACT A QUALIFIED RADIATION PHYSICIST TO DETERMINE IF PROTECTION IS NEEDED FOR ROOM.

GROUNDING NOTES

* FIELD VERIFY ACTUAL APPLICATION WITH HOLOGIC'S FIELD REP.

THE SOURCE GROUND CONNECTION FOR THIS SYSTEM WILL BE THE GROUND SIDE OF THE NEUTRAL TO GROUND BONDING POINT FOR THE POWER DELIVERED TO THIS SYSTEM. THE SOURCE WILL BE EITHER THE MAIN SERVICE ENTRANCE PANEL OR A SEPARATELY DERIVED SOURCE, SUCH AS AN ISOLATION TRANSFORMER. SYSTEM LOCALIZED COLD WATER PIPING OR BUILDING STEEL ARE NOT ACCEPTABLE GROUND SOURCE CONNECTION POINTS. THE SOURCE GROUND CONDUCTOR SHALL BE OF THE SAME SIZE AND TYPE AS THE PHASE CONDUCTORS SUPPLYING THE SYSTEM. REFER TO LOCAL AND NATIONAL ELECTRICAL CODES FOR GROUNDING REQUIREMENTS.



TYPICAL DOOR SWITCH / WARNING LIGHT DETAIL
(ONLY USED WHERE REQUIRED BY LOCAL CODE OR CUSTOMER PREFERENCE)

DESCRIPTION:
WARNING LIGHT = 4" (10cm) STANDARD BOX WITH "X-RAY ON"
OR RED WARNING LAMP OVER DOOR. USE APPROVED FIXTURES – INCANDESCENT
OR LED. REFER TO LOCAL CODES.
(SUPPLIED & INSTALLED BY HOSPITAL'S ELECTRICAL CONTRACTOR.)

HOLOGIC, Inc.
35 Crosby Drive,
Bedford, MA 01730

HOLOGIC

REV. AUTHORED BY: DATE: DOCUMENT NUMBER: REV. 0.1

REV. DRAFTED BY: DATE: SIZE: B ARCH

REV. RELEASE DATE:

THIS DOCUMENT CONTAINS PROPRIETARY DATA OF HOLOGIC, INC. AND SHALL NOT BE USED FOR PURPOSES OTHER THAN THOSE AGREED UPON BETWEEN HOLOGIC AND ITS CUSTOMER. THIS DRAWING IS NOT TO BE USED FOR CONSTRUCTION PURPOSES.

TYPICAL HOSPITAL
FINAL ROOM PLAN
CITY, STATE

THESE DRAWINGS ARE FOR
REVIEWING PURPOSES ONLY

DATE: 06-01-13
SCALE: NTS
DRAWN BY: TOZ
PURCHASE ORDER:

PROJECT NO:
13***F

SHEET NO:
3.1

GENERAL NOTES

THE DRAWINGS AND SPECIFICATIONS CONTAINED IN THIS PACKAGE ARE DESIGNED TO CONFORM TO STRUCTURAL FEATURES AND EQUIPMENT REQUIREMENTS PRESENTED AT THE TIME OF THEIR PREPARATION. HOWEVER, SINCE THESE FACTORS ARE SUBJECT TO DESIGN MODIFICATIONS, THE DRAWINGS ARE NOT TO BE USED AS CONSTRUCTION DOCUMENTS. CONSTRUCTION PLANS ARE THE RESPONSIBILITY OF THE CUSTOMER'S ARCHITECT OR ENGINEER, WHO SHALL SEE THAT ALL APPLICABLE CODES AND REGULATIONS ARE COMPLIED WITH. ANY CHANGES MUST BE BROUGHT TO THE ATTENTION OF THE HOLOGIC PLANNING OFFICE OR THE OFFICE OF THE MANUFACTURER'S REPRESENTATIVE SUPERVISING THE PRE-INSTALLATION WORK SITE. ALL FINAL DRAWINGS MUST BE SUBMITTED TO HOLOGIC FOR REVIEW.

ALL DIMENSIONS ARE GIVEN FROM FINISHED SURFACES. WHERE DIMENSIONS ARE NOT GIVEN, FIELD MEASUREMENTS SHOULD BE TAKEN. ALL EXISTING CONDITIONS ARE TO BE VERIFIED BY THE CUSTOMER'S CONTRACTOR, AND ANY DISCREPANCIES SHOULD BE BROUGHT TO THE ATTENTION OF THE HOLOGIC PLANNING OFFICE.

EQUIPMENT PURCHASER SHALL, AT HIS EXPENSE, PROVIDE THE NECESSARY LABOR AND MATERIAL FOR ANY PLUMBING, CARPENTRY, STRUCTURAL AND ELECTRICAL WORK SUCH AS REINFORCEMENT, CONDUITS, WIREWAYS, SWITCHES, ETC., WHICH MAY BE REQUIRED FOR THE INSTALLATION OF X-RAY ROOM EQUIPMENT. HOLOGIC ASSUMES NO RESPONSIBILITY FOR ANY CONSTRUCTION COSTS WHETHER OR NOT RELATED TO THE INSTALLATION OF OUR EQUIPMENT NO WORK MAY BE PERFORMED OR MATERIALS FURNISHED AT OUR EXPENSE, UNLESS AUTHORIZED BY A SIGNED, FORMAL HOLOGIC PURCHASE ORDER

THE CUSTOMER, AT HIS EXPENSE, SHALL EMPLOY A REGISTERED PHYSICIST TO SPECIFY RADIATION PROTECTION.

THE CUSTOMER'S ARCHITECT SHALL VERIFY THAT ALL DOOR AND PASSAGE SIZES ARE ADEQUATE FOR DELIVERY OF EQUIPMENT FROM EXTERIOR, INTO THE ROOM. IF PROFESSIONAL RIGGING SERVICES ARE REQUIRED, THESE SHALL BE PROVIDED AT THE CUSTOMER'S EXPENSE.

ALL NEW FINISHED FLOOR SURFACES SHOULD BE LEVEL. THE FLOOR AREA UNDER THE EQUIPMENT BASES, EXTENDING 3'-0" IN ALL DIRECTIONS AROUND EACH BASE, MUST BE LEVELLED, USING A CARPENTER'S LEVEL OF APPROPRIATE LENGTH, TO WITHIN 1/16".

THE CUSTOMER'S CONTRACTOR SHALL OBTAIN ALL PERMITS NECESSARY FOR CONSTRUCTION.

THE DELIVERY AND INSTALLATION OF RADIOLOGY EQUIPMENT, SHALL NOT COMMENCE UNTIL HOLOGIC HAS RECEIVED NOTIFICATION BY THE CUSTOMER OR HIS ARCHITECT, THAT THE CONSTRUCTION PHASE HAS BEEN COMPLETED AND THE ENVIRONMENT IS CLEAN AND DUST FREE.

ALL BUILDING UTILITIES SERVICING THE SITE SHALL BE OPERATIONAL.

THE CUSTOMER AND A HOLOGIC REPRESENTATIVE SHALL INSPECT AND ACCEPT THE ROOM BEFORE WORK BEGINS ON THE INSTALLATION OF EQUIPMENT. IF ROOM PREPARATION IS INCOMPLETE OR INCORRECT, THE CUSTOMER'S CONTRACTOR IS RESPONSIBLE FOR THE COST OF CORRECTING ANY PROBLEMS.

AS THIS DRAWING CONTAINS CONFIDENTIAL AND PROPRIETARY INFORMATION, THE CUSTOMER, IN ACCEPTING THIS DRAWING, AGREES NOT TO REPRODUCE, OR DISTRIBUTE IT TO OTHERS, OR TO USE THE INFORMATION CONTAINED THEREIN, IN ANY MANNER DETRIMENTAL TO HOLOGIC SYSTEMS DIVISION.

ARCHITECTURAL NOTES

1. THIS SET OF DRAWINGS ARE FOR THE PURPOSE OF A LAYOUT PLAN ONLY – NOT FOR CONSTRUCTION. THESE DRAWINGS ARE FOR THE BENEFIT OF PURCHASER'S ARCHITECT OF CHOICE. THE ARCHITECT AND BUILDING CONTRACTORS SHALL CONVERT THIS LAYOUT INTO WORKING AND CONSTRUCTION DRAWINGS OBSERVING ALL PREVAILING CODES. THESE DRAWINGS ARE INTENDED TO PROVIDE THE CONSTRUCTION PARTICIPANTS WITH SPECIFICATION AND CONCEPTUAL INFORMATION ONLY. EVERY EFFORT HAS BEEN MADE TO CONFORM DETAILS TO THE ACTUAL EQUIPMENT EXPECTED TO BE INSTALLED. THIS FLOOR PLAN WAS SCALED FROM PRINTS DRAWN BY OTHERS. ALL CONSTRUCTION PARTICIPANTS SHALL VERIFY AND ADJUST DIMENSIONS. CRITICAL DIMENSIONAL RELATIONSHIPS HAVE BEEN SUPPLIED. IT IS THE RESPONSIBILITY OF ALL CONSTRUCTION PARTICIPANTS TO ADHERE TO THESE DISTANCES. ALL DIMENSIONS ARE FROM FINISHED SURFACES UNLESS OTHERWISE NOTED. ARCHITECT SHALL VERIFY THAT ALL DOOR AND PASSAGEWAY SIZES ARE ADEQUATE FOR TRANSPORTING EQUIPMENT FROM EXTERIOR OF BUILDING INTO RESPECTIVE ROOMS. RECOMMEND COVERING OR REMOVING THRESHOLDS. THE EQUIPMENT REPRESENTATIVES OR THEIR DESIGNER ARE NOT RESPONSIBLE OR LIABLE FOR ANY ERRORS OR OMISSIONS. THOSE MAKING USE OF OR RELYING ON THIS MATERIAL ASSUMES ALL RISKS AND LIABILITY ARISING FROM SUCH USE OR RELIANCE. ALL CONSTRUCTION SHALL COMPLY WITH BUILDING CODES AND REGULATIONS THAT HAVE JURISDICTION.
2. ARCHITECT AND ENGINEERS SHALL USE EXISTING ELECTRICAL AND STRUCTURAL ITEMS WHEN FEASIBLE.
3. ALL WORK EXCEPT INSTALLATION OF DIAGNOSTIC IMAGING EQUIPMENT IS TO BE DONE BY OTHERS THAN THE EQUIPMENT REPRESENTATIVES.
4. SOME CONVENIENCES MAY BE REQUIRED BY CODE OR DESIRED BY CUSTOMER IN EACH RESPECTIVE ROOM (i.e., CASSETTE STORAGE, ILLUMINATORS, CABINETS, SINKS AND COUNTER SPACE). PLEASE CONSULT WITH CUSTOMER WITH REGARDS TO DESIRED CONVENIENCES.
5. ELECTRICAL POWER FOR X-RAY EQUIPMENT REQUIRES VERY LARGE CURRENTS FOR EXTREMELY SHORT TIMES WHILE THE SUPPLY VOLTAGE MUST REMAIN RELATIVELY STABLE. REFER TO ELECTRICAL NOTES. GROUNDING MUST CONFORM TO THE CURRENT REQUIREMENTS FOR ELECTRICALLY SUSCEPTIBLE PATIENT AREAS.
6. NO ATTENTION HAS BEEN GIVEN TO SPECIFIC PLUMBING OR HVAC CONSIDERATIONS AFFECTED BY THE SCOPE OF THIS WORK. ENGINEERING DRAWINGS TO BE DONE BY OTHERS. ELECTRICAL AND MECHANICAL DESIGNERS SHALL BE REQUIRED TO REVIEW THESE DRAWINGS TO HELP THEM GAIN AN UNDERSTANDING OF THE CONCEPT OF THIS WORK AND TO HELP MINIMIZE CONFLICTING CONSTRUCTION EFFORTS. NO ATTENTION HAS BEEN GIVEN TO SPECIFIC BUILDING STRUCTURAL INTEGRITY. A PROFESSIONAL STRUCTURAL ENGINEER SHALL INSPECT FIELD CONDITIONS TO ENSURE THAT THE FACILITY SUPPORT STRUCTURE (e.g. WALLS, FLOORS, CEILINGS) CAN PROVIDE ADEQUATE SUPPORT FOR THE DIAGNOSTIC IMAGING EQUIPMENT DESCRIBED IN THE EQUIPMENT SCHEDULE. NO ATTENTION HAS BEEN GIVEN TO SPECIFIC SEISMIC ANCHORAGE CONSIDERATIONS AFFECTED BY THE SCOPE OF THIS WORK. ALL EXPENSES ASSOCIATED WITH SEISMIC TESTING AND COMPLIANCE SHALL BE THE RESPONSIBILITY OF THE CUSTOMER (END USER) OR THEIR RESPECTIVE CONTRACTORS OF CHOICE. IT IS STRONGLY RECOMMENDED THAT THE CUSTOMER CONSULTS WITH A PROFESSIONAL STRUCTURAL ENGINEER FAMILIAR WITH ALL PREVAILING SEISMIC REQUIREMENTS. ENGINEERING DRAWINGS BY OTHERS.
7. THE EQUIPMENT REPRESENTATIVES PRIOR TO CHANGES MUST APPROVE DEVIATION FROM THESE PLANS IN WRITING.

HOLOGIC		PROPOSED	
Hologic, Inc., 35 Crosby Drive, Bedford, MA 01730		DOCUMENT NUMBER	REV. 0.1
REV. AUTHORED BY	DATE	REV. DRAFTED BY	DATE
		REV. RELEASE DATE	SIZE B ARCH

THIS DOCUMENT CONTAINS PROPRIETARY DATA OF HOLOGIC, INC. AND SHALL NOT BE USED FOR PURPOSES OTHER THAN THOSE AGREED UPON BETWEEN HOLOGIC AND ITS CUSTOMER. THIS DRAWING IS NOT TO BE USED FOR CONSTRUCTION PURPOSES.

TYPICAL HOSPITAL
FINAL ROOM PLAN
CITY, STATE
THESE DRAWINGS ARE FOR
REVIEWING PURPOSES ONLY

DATE: 06-01-13	SCALE: NTS	DRAWN BY: TOZ	PURCHASE ORDER:
PROJECT NO: 13***F			
SHEET NO: 4.0			