

Planning Sheet & Equipment Drawings

SHT. NO.	CONTENTS
1	Table of Contents
2	Account Information
3	SCCT Custom Orders
4	Elevation & Plan Overviews
5	Outlet Configuration
6	Accessories
7	Customer Supported Equipment
8	Parts List
9	Support Structure
10	Canopy Mount Details
11	Bolt Hole Pattern
12	Engineering Requirements
13	Electrical Details
14	Gas Details
15	Air Requirements - Pneumatic Brake
16	Ceiling Access
17	EMS Wiring Diagram
18	Redundant Ground Detail
19	Structural Plate Instructions




1. STERIS RECOMMENDS INSTALLATION DURING EARLY PHASE OF CONSTRUCTION.
2. STERIS ASSUMES NO RESPONSIBILITY FOR CHANGES MADE NECESSARY THROUGH FAILURE TO OBSERVE INSTALLATION INSTRUCTIONS. IT IS THE RESPONSIBILITY OF THE CUSTOMER TO INSURE THAT UNITS ARE INSTALLED IN ACCORDANCE WITH STATE AND LOCAL CODE.
3. HARMONY EMS IS DESIGNED AND TESTED TO MEET THE APPLICABLE REQUIREMENTS OF THE FOLLOWING STANDARDS AND REGULATIONS: CSA C22.2 No. 601.1-M90, CSA Z305.8, INTERNATIONAL STANDARDS IEC 60601-1-2, UL STANDARD 60601-1 2003, NFPA 99 2002 AND FDA GOOD MANUFACTURING PRACTICES REGULATIONS 21CFR 820 FOR MEDICAL DEVICES.

THIS SIGNATURE CONFIRMS EQUIPMENT SPECIFICATIONS AND CEILING HEIGHT CONTAINED IN THIS DOCUMENT AND ACKNOWLEDGES THAT ANY CHANGES MAY RESULT IN ADDITIONAL FEES AND DELAYED DELIVERY

TITLE:
SIGNATURE:

DATE:

ALL DIMENSIONS ARE IN INCHES
ALSO REFER TO GENERAL NOTES
APPLICABLE TO EQUIPMENT DRAWINGS



STERIS Corporation
Mentor, OH

TITLE SHEET AND TABLE OF CONTENTS

Harmony EMS 70"DbI Fixed Arm with 40"Column

ACCOUNT NAME	
ACCOUNT LOCATION	
FILE NAME Kelowna Cardiac Room Reno	
PRINTED DATE 9/26/2011	SHEET 1 of 19

Date: September 26, 2011

H-number _____

Description: _____

Item no: _____

Room Application: Cardiac Cath EMS Application: Endoscopy

Account: _____

Location _____

Customer Rep: _____ Voice Mail: _____

Project Manager: _____ Voice Mail: _____

Customer PO Number: _____

Quantity: 1 Room Numbers: _____

Date Required: _____ Date Pre-installation items required: _____

STERIS Order No: _____ Order Item No: _____


Seismic Required: No

	Arm Description	Part Number
Mount #1	Harmony EMS 70"Dbl Fixed Arm with 40"Column	UUDF07003

Special Instructions:

	Video Vendor	Video cables installed in STERIS factory
Mount#1	STERIS-VTS (Cables by STERIS)	YES

ALL DIMENSIONS ARE IN INCHES
ALSO REFER TO GENERAL NOTES
APPLICABLE TO EQUIPMENT DRAWINGS



STERIS Corporation
Mentor, OH

**ACCOUNT
INFORMATION**

Harmony EMS 70"Dbl Fixed Arm with 40"Column

ACCOUNT NAME

ACCOUNT LOCATION

FILE NAME
Kelowna Cardiac Room Reno

PRINTED DATE
9/26/2011

SHEET
2 of 19

Additional Terms for SCCT Custom Orders

Custom orders for integrated operating rooms, lights and booms, and other customized equipment for surgical and critical care shall be subject to STERIS's standard Terms and Conditions of Sale and Installation as well as the following additional terms and conditions:

Payment

A non-refundable deposit of thirty percent (30%) of the total purchase price of any order that includes custom equipment must be paid to STERIS within ten days of the date that STERIS receives Customer's purchase order. Payment of the remainder of the purchase price must be made within thirty days of STERIS's invoice date.

Cancellation

If a customer chooses to cancel a purchase order for a custom order, the Customer's deposit will be forfeited.

Change Orders

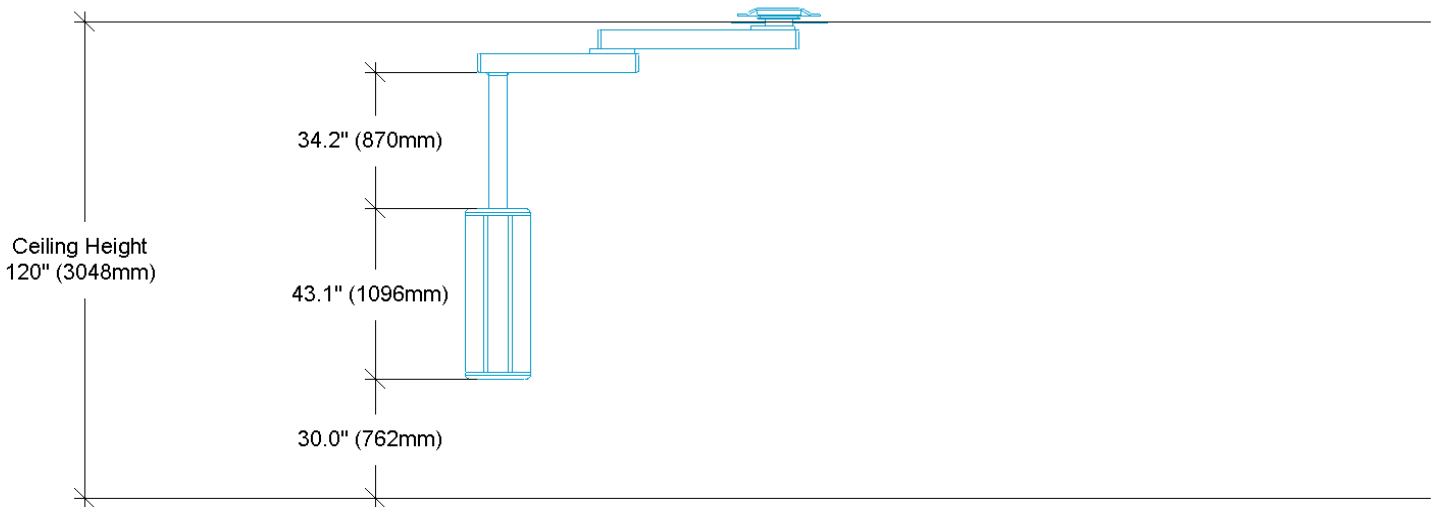
Customer change orders shall be subject to a change order fee of \$2500.00 plus any price difference between the original and revised order. Customers will be invoiced for the change order fee at the time that the requested change is implemented. All change orders must be accepted and approved by STERIS. Change orders may result in delays in shipping and/or installation.

The \$2,500.00 change order fee shall also apply if a STERIS installation team arrives at a Customer facility for a scheduled installation but is unable to complete the installation because of the Customer's failure to prepare the site according to previously agreed upon specifications.

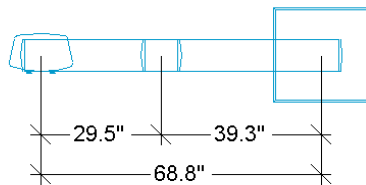
Return of Goods

Customer shall not be entitled to any refund or credit for custom-made parts, used parts or parts that are missing labels or packaging. Goods may not be returned without prior approval from STERIS. Customer is responsible for all freight costs associated with the return of goods after shipment and may be required to pay a restocking fee.

ALL DIMENSIONS ARE IN INCHES ALSO REFER TO GENERAL NOTES APPLICABLE TO EQUIPMENT DRAWINGS	<h2 style="margin: 0;">CUSTOM ORDER TERMS</h2>	INITIALS: _____ DATE: _____ ACCOUNT NAME _____ ACCOUNT LOCATION _____ FILE NAME Kelowna Cardiac Room Reno
 	Harmony EMS 70"DbI Fixed Arm with 40"Column	PRINTED DATE 9/26/2011
		SHEET 3 of 19



Standard 1000mm tube cut to 975mm (38")



	Arm Description	Load (lbs)	Moment (ft-lbs)
Mount #1	Harmony EMS 70"Dbl Fixed Arm with 40"Column	862	4453
TOTAL:		862	4453

ALL DIMENSIONS ARE IN INCHES
ALSO REFER TO GENERAL NOTES
APPLICABLE TO EQUIPMENT DRAWINGS

STERIS



STERIS Corporation
Mentor, OH

ELEVATION AND PLAN OVERVIEWS

Harmony EMS 70"Dbl Fixed Arm with 40"Column

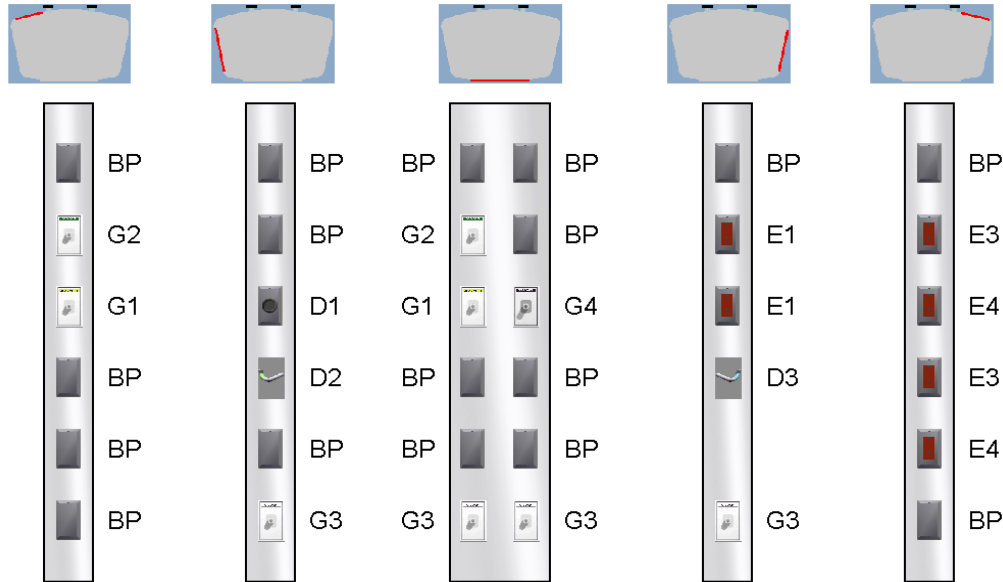
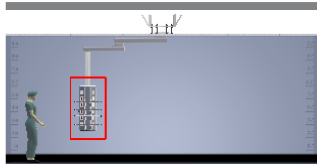
ACCOUNT NAME

ACCOUNT LOCATION

FILE NAME
Kelowna Cardiac Room Reno

PRINTED DATE
9/26/2011

SHEET 4 of 19



Gas Outlet Type:
DISS



	Description	Type	Isolated	Circuit #	Qty
E1	Emergency Duplex	Emergency	Yes	1	2
E4	Emergency Duplex	Emergency	Yes	4	2
E3	Emergency Duplex	Emergency	Yes	3	2

	Description	Connector	Qty
G1	Medical Air	DISS	2
G2	Oxygen	DISS	2
G3	Vacuum	DISS	4
G4	Nitrogen	DISS	1

	Description	Lines	Qty
BP	Blank Plate	0	17
D1	Plate with 1.5" Grommet	1	1
D2	Brake Handle (Blue)	0	1
D3	Brake Handle (Green)	0	1

TITLE: SIGNATURE:	
DATE:	
ACCOUNT NAME	
ACCOUNT LOCATION	
FILE NAME Kelowna Cardiac Room Reno	
PRINTED DATE 9/26/2011	SHEET 5 of 19

Circuit identification engraving and/or plates are provided and installed by others on site

ALL DIMENSIONS ARE IN INCHES
ALSO REFER TO GENERAL NOTES
APPLICABLE TO EQUIPMENT DRAWINGS

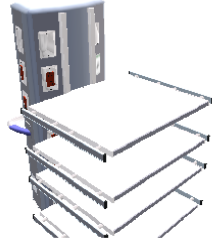
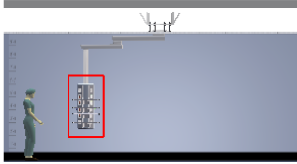
STERIS



STERIS Corporation
Mentor, OH

OUTLET CONFIGURATION

Harmony EMS 70"Dbl Fixed Arm with 40"Column



Description	Part no.	Qty (per unit)
Harmony EMS Lifespan Equip 18.9"Side Rail Kits	LS1018-526	4
Harmony EMS Front Rail Mounted 21.3"x 18.9"Shelf	DWSC16000	4

ALL DIMENSIONS ARE IN INCHES
ALSO REFER TO GENERAL NOTES
APPLICABLE TO EQUIPMENT DRAWINGS

ACCESSORIES

ACCOUNT NAME



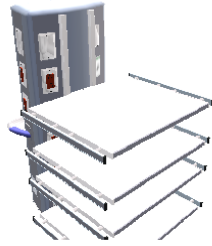
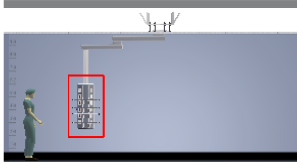
Harmony EMS 70"DbI Fixed Arm with 40"Column

ACCOUNT LOCATION

FILE NAME
Kelowna Cardiac Room Reno

PRINTED DATE
9/26/2011

SHEET 6 of 19



Customer Equipment Supported by Harmony EMS

Description	Manufacturer	Model	Width	Depth	Height	Weight
-------------	--------------	-------	-------	-------	--------	--------

	lbs.
Total Capacity of Arm	471
Total Weight of Accessories	52
Total Weight of User Items	0
Remaining Capacity of Arm	419

All weights are approx. and should be verified by the customer prior to manufacture

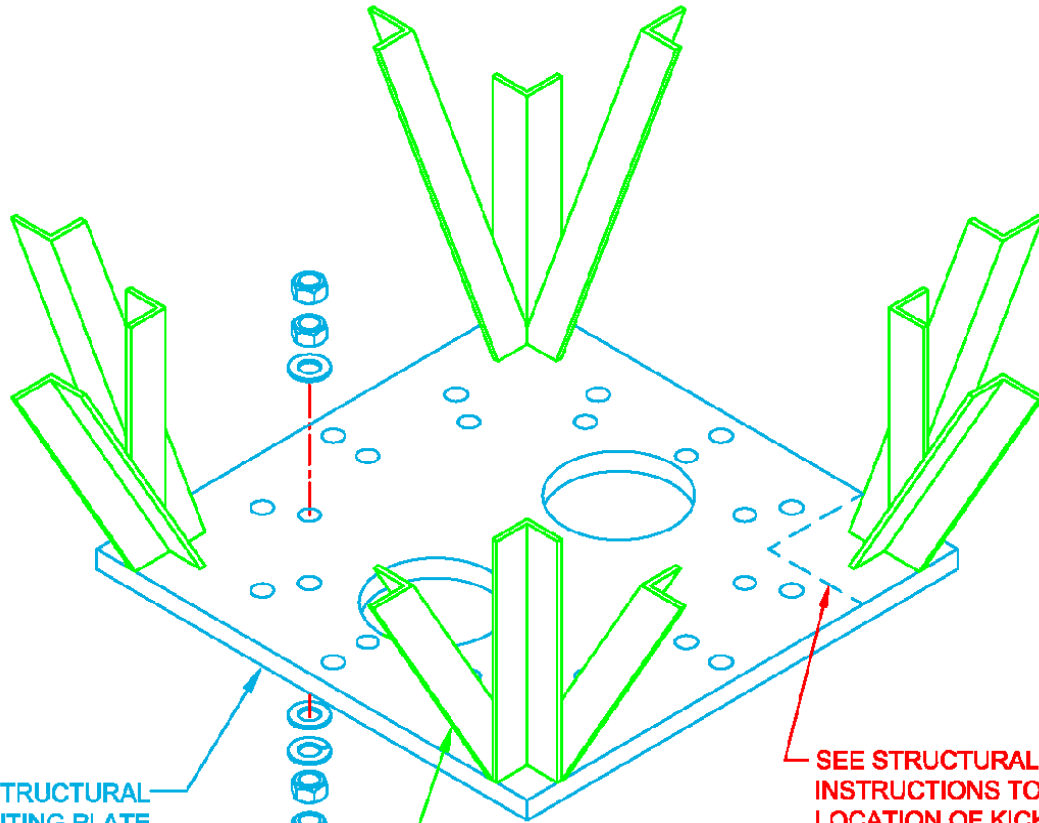
ALL DIMENSIONS ARE IN INCHES ALSO REFER TO GENERAL NOTES APPLICABLE TO EQUIPMENT DRAWINGS STERIS®  STERIS Corporation Mentor, OH	CUSTOMER SUPPORTED EQUIPMENT	ACCOUNT NAME	
		ACCOUNT LOCATION	
Harmony EMS 70"DbI Fixed Arm with 40"Column		FILE NAME Kelowna Cardiac Room Reno	
		PRINTED DATE 9/26/2011	SHEET 7 of 19

Description	Part #	Type	Qty / Unit	Total Qty
Harmony EMS Above Ceiling Pre-Install Electric, Gas Kit	QR00-000-000-000-22	Acc	1	1
Harmony Sgl Mt Flush Ceilg Covr 6.7"Diam	UG19759	Acc	1	1
Harmony EMS Above Ceiling Structural Mounting Plate	QR00-000-000-000-21	Acc	1	1
Harmony EMS Lifespan Equip 18.9"Side Rail Kits	LS1018-526	Acc	4	4
Harmony EMS Front Rail Mounted 21.3"x 18.9"Shelf	DWSC16000	Acc	4	4
Vacuum Riser Assembly	P136818-285	Acc	4	4
Oxygen Riser Assembly	P136818-286	Acc	2	2
Medical Air Riser Assembly	P136818-290	Acc	2	2
Nitrogen Riser Assembly	P136818-289	Acc	1	1
Harmony Ceiling Plate - Medium & Strong Systems	UG19215	XGen	1	1
Harmony EMS 70"Dbl Fixed Arm with 40"Column	UUDF07003	XGen	1	1
Harmony EMS A/V Cable Svc Chge for VTS Cbl Orders	P129387-527	XGen	1	1
Harmony EMS Blank Plate Cover for Future Service	P093933-004	XGen	17	17
Vacuum Outlet DISS	P093923-753	XGen	4	4
Emergency Duplex Isolated	P093923-775	XGen	6	6
Oxygen Outlet DISS	P093923-749	XGen	2	2
Medical Air Outlet DISS	P093923-757	XGen	2	2
Nitrogen Outlet DISS	P093923-769	XGen	1	1
Harmony EMS A/V Cable Plate w Grommet Hole Access	P093923-520	XGen	1	1
Harmony EMS Col Control Handle Kit Dbl Fixed Arms	P129387-293	XGen	1	1

All thread kits are included for CS orders engineered after November 01, 2008

ALL DIMENSIONS ARE IN INCHES ALSO REFER TO GENERAL NOTES APPLICABLE TO EQUIPMENT DRAWINGS	<h2>PARTS LIST</h2>	ACCOUNT NAME	
		ACCOUNT LOCATION	
 STERIS 	Harmony EMS 70"Dbl Fixed Arm with 40"Column	FILE NAME Kelowna Cardiac Room Reno	
		PRINTED DATE 9/26/2011	SHEET 8 of 19

CAD DWG DATE 4/12/10 DRAWN BY MDS CHECKED BY G.W. ECA 104340 REV. DATE 12/27/10 REV. NO. 2 DWG. NO. 129387-680



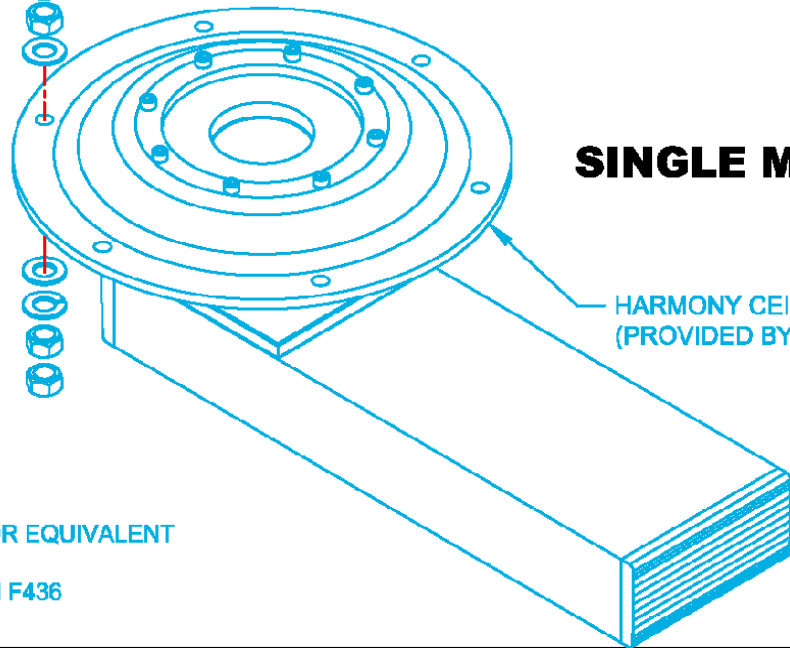
STRUCTURAL MOUNTING PLATE
 *MAY BE PROVIDED BY STERIS
 QUOTED SEPARATELY
 ADDITIONAL CHARGE APPLIES

**SEE STRUCTURAL PLATE
 INSTRUCTIONS TO DETERMINE
 LOCATION OF KICKERS**

**STRUCTURAL FRAMEWORK & BRACING
 (PROVIDED BY OTHERS)**

THE CUSTOMER ASSUMES ALL RESPONSIBILITY FOR THE STRUCTURAL DESIGN, SUPPORT BRACING, & STRUCTURAL SUPPORT INSTALLATION. CONSULT WITH THE ENGINEER OF RECORD (EOR) TO ENSURE THAT THE STRUCTURAL MOUNTING PLATE PROVIDED BY STERIS IS SEAMLESSLY INCORPORATED INTO THE BUILDING'S STRUCTURAL DESIGN & SUPPORT BRACING. STERIS ASSUMES NO RESPONSIBILITY FOR THE CUSTOMER'S STRUCTURAL DESIGN, SUPPORT BRACING, & STRUCTURAL SUPPORT INSTALLATION.

**** STERIS WILL SUPPLY
 THE STRUCTURAL PLATE
 FOR ORDERS ENGINEERED
 AFTER NOVEMBER 15, 2010**



SINGLE MOUNT

**HARMONY CEILING FLANGE
 (PROVIDED BY STERIS)**

NOTE:
 1 SET MOUNTING HARDWARE SHOWN
 6 SETS REQUIRED - PROVIDED BY STERIS
 7/8-9 X16" TH. ROD ASTM A193 GRADE B7 OR EQUIVALENT
 7/8-9 UNC HEX NUT ASTM A194 GRADE 2H
 7/8 HARDENED STEEL FLAT WASHER ASTM F436
 7/8 STEEL LOCK WASHER

ALL DIMENSIONS ARE IN INCHES
 ALSO REFER TO GENERAL NOTES
 APPLICABLE TO EQUIPMENT DRAWINGS

**SUPPORT STRUCTURE
 DETAIL**

ACCOUNT NAME

ACCOUNT LOCATION

FILE NAME
 Kelowna Cardiac Room Reno

PRINTED DATE
 9/26/2011

SHEET 9 of 19

STERIS



STERIS Corporation
 Mentor, OH

Harmony EMS 70"Dbl Fixed Arm with 40"Column

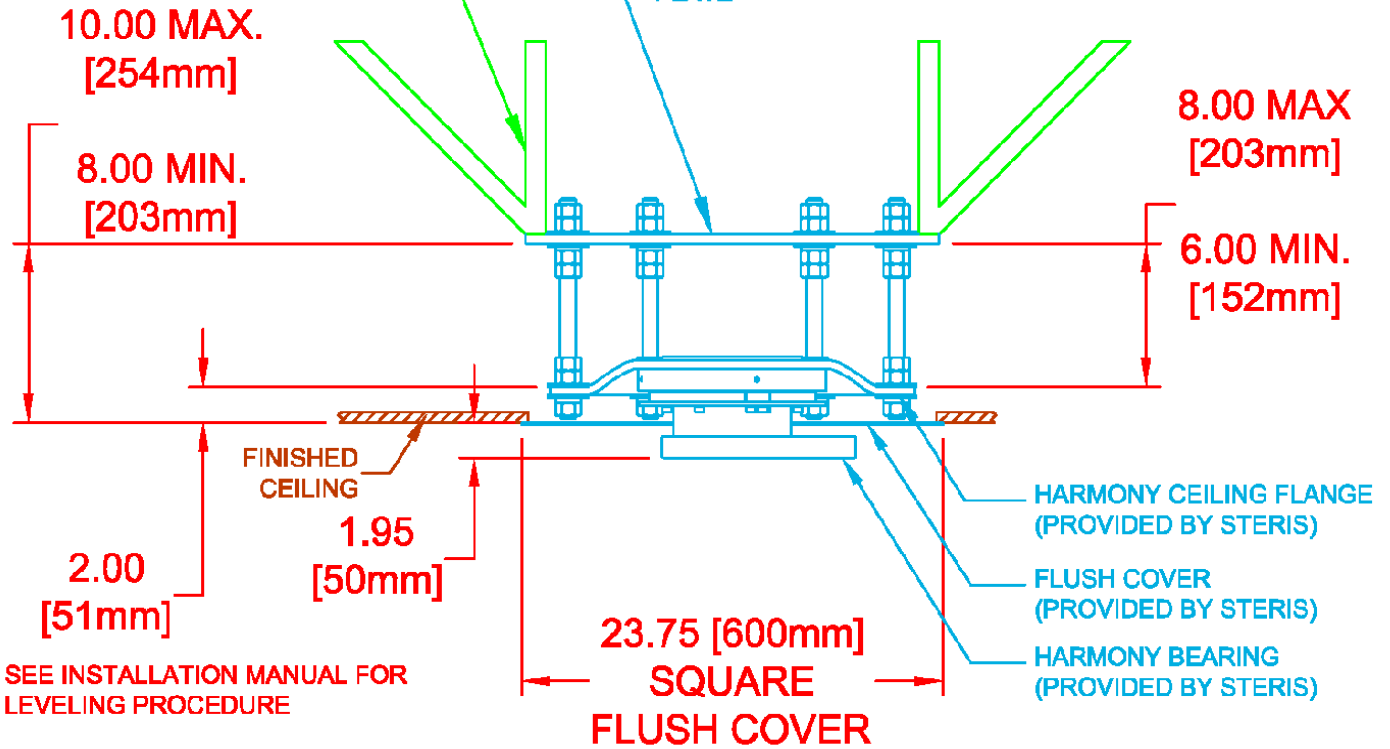
CAD DWG DATE 4/1/10 DRAWN BY MDS CHECKED BY G.W. ECA 104340 REV. DATE 12/27/10 REV. NO. 1 DWG. NO. 129387-630

**STRUCTURAL FRAMEWORK & BRACING
(PROVIDED BY OTHERS)**

THE CUSTOMER ASSUMES ALL RESPONSIBILITY FOR THE STRUCTURAL DESIGN, SUPPORT BRACING, & STRUCTURAL SUPPORT INSTALLATION. CONSULT WITH THE ENGINEER OF RECORD (EOR) TO ENSURE THAT THE STRUCTURAL MOUNTING PLATE PROVIDED BY STERIS IS SEAMLESSLY INCORPORATED INTO THE BUILDING'S STRUCTURAL DESIGN & SUPPORT BRACING. STERIS ASSUMES NO RESPONSIBILITY FOR THE CUSTOMER'S STRUCTURAL DESIGN, SUPPORT BRACING, & STRUCTURAL SUPPORT INSTALLATION.

*MAY BE PROVIDED BY STERIS
QUOTED SEPARATELY
ADDITIONAL CHARGE APPLIES

*STRUCTURAL MOUNTING PLATE



SEE INSTALLATION MANUAL FOR LEVELING PROCEDURE

FLUSH MOUNT

NOTE:
STRUCTURAL PLATE HEIGHT IS SPECIFIC TO COMPONENTS SHOWN IN THIS DRAWING PACKAGE. DIFFERENT COMPONENT CONFIGURATIONS WILL REQUIRE DIFFERENT STRUCTURAL PLATE HEIGHTS.

ALL DIMENSIONS ARE IN INCHES
ALSO REFER TO GENERAL NOTES
APPLICABLE TO EQUIPMENT DRAWINGS

STERIS



STERIS Corporation
Mentor, OH

**SUPPORT STRUCTURE
MOUNTING HEIGHT**

Harmony EMS 70"Dbl Fixed Arm with 40"Column

ACCOUNT NAME

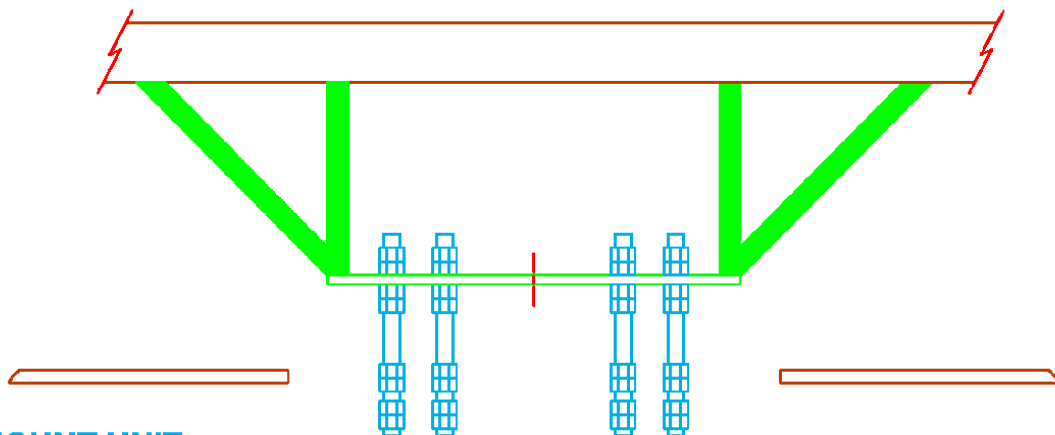
ACCOUNT LOCATION

FILE NAME
Kelowna Cardiac Room Reno

PRINTED DATE
9/26/2011

SHEET 10 of 19

CAD DWG DATE 04-15-08 DRAWN BY G.J. CHECKED BY G.W. ECA 104340 REV. DATE 12/27/10 REV. NO. 1 DWG. NO. 129387-715



**SINGLE MOUNT UNIT
BOLT HOLE PATTERN**

15/16 THRU
12 HOLES
EQUALLY SPACED
AS SHOWN ON
Ø18.500 B.C.

30° TYP.

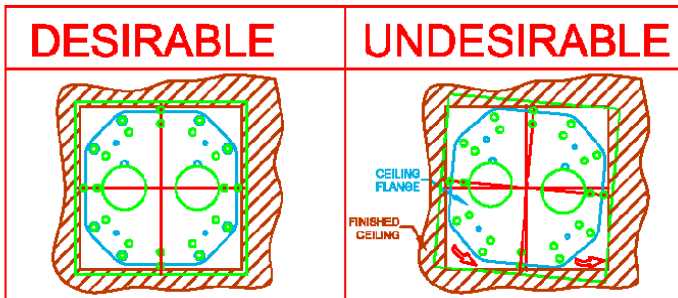
Ø6.0 THRU
2 HOLES

STRUCTURAL MOUNTING
PLATE
*MAY BE PROVIDED
BY STERIS
QUOTED SEPARATELY
ADDITIONAL CHARGE APPLIES

**TANDEM MOUNT UNIT
BOLT HOLE PATTERN**

15/16 THRU
12 HOLES
EQUALLY SPACED
AS SHOWN ON
Ø22.50 B.C.

10.63



ALL DIMENSIONS ARE IN INCHES
ALSO REFER TO GENERAL NOTES
APPLICABLE TO EQUIPMENT DRAWINGS

STERIS®



STERIS Corporation
Mentor, OH

**STRUCTURAL PLATE
BOLT HOLE PATTERN**

Harmony EMS 70"Dbl Fixed Arm with 40"Column

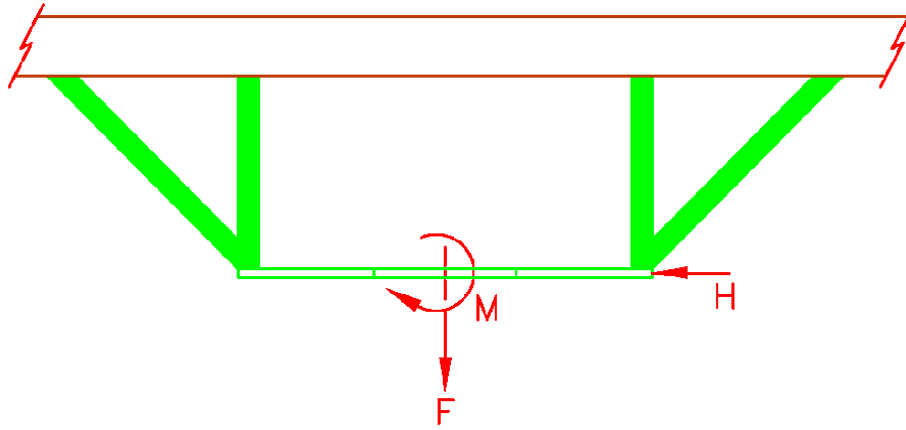
ACCOUNT NAME

ACCOUNT LOCATION

FILE NAME
Kelowna Cardiac Room Reno

PRINTED DATE
9/26/2011

SHEET 11 of 19



STRUCTURAL MOUNT ENGINEERING DATA NOTES

DESIGN OF THE EMS SUPPORT STRUCTURE IS CRITICAL TO SAFE, TROUBLE FREE OPERATION.

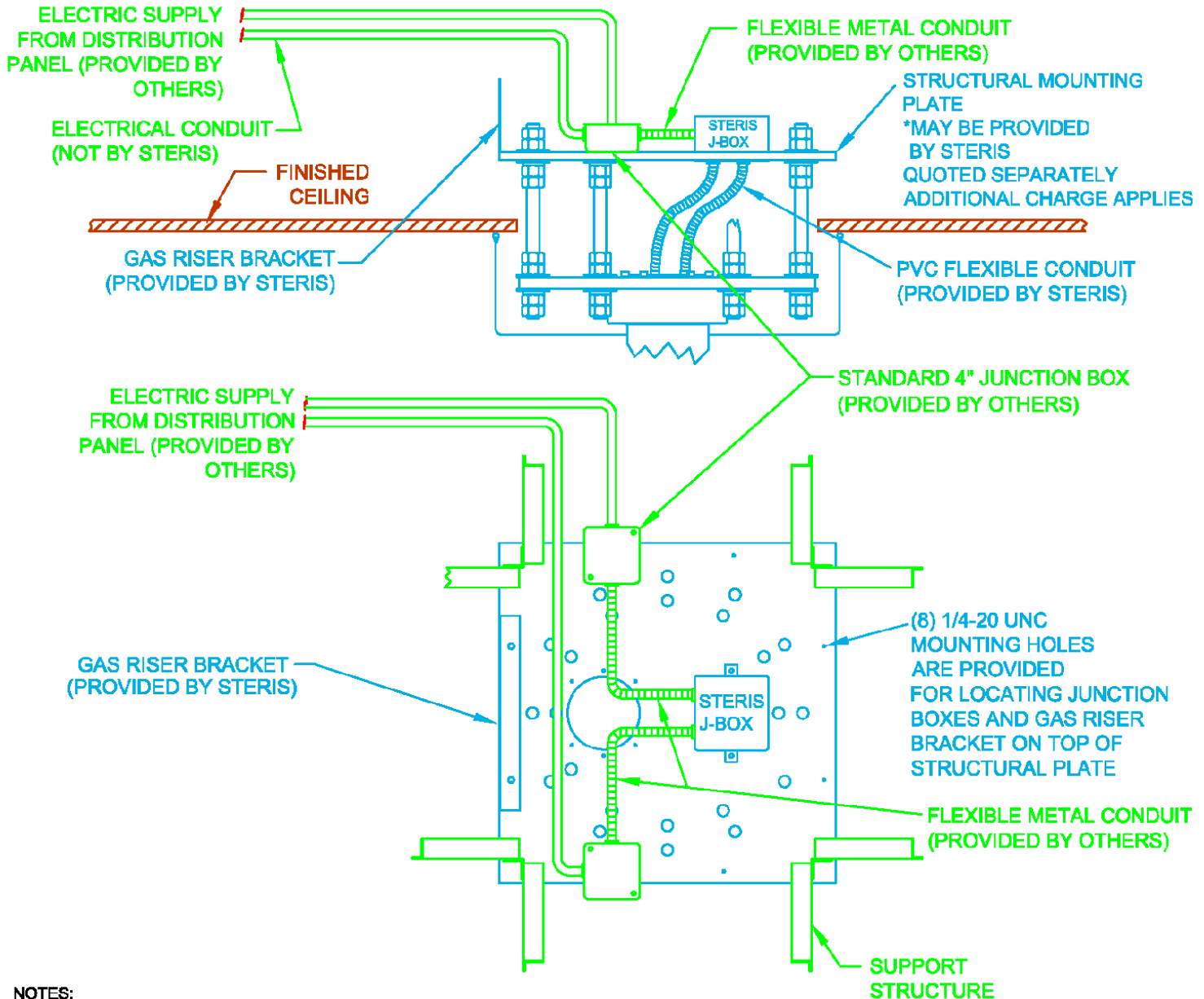
- A. THE STRUCTURAL MOUNTING PLATE MUST BE FLAT, LEVEL AND MUST ADEQUATELY SUPPORT THE EMS SYSTEM CONFIGURATION TO BE INSTALLED.
- B. **MAXIMUM LOAD CONFIGURATIONS**-STERIS RECOMMENDS A STRUCTURAL MOUNT THAT CAN ACCOMMODATE THE MAXIMUM LOAD CONFIGURATION TO ALLOW FOR THE ADDITION OF COMPONENTS IN THE FUTURE.
 TOTAL LOAD "F" ON THE STRUCTURAL MOUNTING PLATE:
 2,020 LBS (8,920 N)
 MAXIMUM MOMENT "M" AT THE STRUCTURAL MOUNTING PLATE:
 12,850 FT-LBS (17,400 Nm)
 (FOR MORE SPECIFIC LOADING INFORMATION REFERENCE PAGE 2)
- C. MAXIMUM ACCEPTABLE HORIZONTAL DEFLECTION OF THE STRUCTURAL MOUNTING PLATE:
 0.1 INCHES (2.5mm) WITH A HORIZONTAL LOAD OF "H" OF 2,020 LBS (8,920 N)
- D. MAXIMUM ACCEPTABLE ANGULAR DEFLECTION OF THE STRUCTURAL MOUNTING PLATE:
 1/3 OF A DEGREE WITH THE MAXIMUM MOMENT "M" APPLIED OF 12,850 FT-LBS (17,400 Nm)
 [FOR ZONE 4 REFERENCE THE APPROPRIATE SEISMIC REPORT]
- E. IF SPACE BETWEEN "HARMONY BEARING PLATE" ON THE EMS UNIT (PROVIDED BY STERIS) AND STRUCTURAL MOUNTING PLATE EXCEEDS THE ACCEPTABLE DIMENSIONAL RANGE SHOWN IN THIS EQUIPMENT DRAWING, AN "INTERMEDIATE SUPPORT PLATE (STIFFING PLATE) OR STRUCTURE" (PROVIDED BY OTHERS) IS REQUIRED. CONSULT THE STRUCTURAL ENGINEER OF RECORD.

NOTES:

- 1) FOR THE MAXIMUM ALLOWABLE LOAD THAT CAN BE CARRIED ON EACH PENDANT COLUMN OR HEAD (CONSISTING OF EQUIPMENT, SHELVES, & ACCESSORIES), REFERENCE THE EMS "TECH DATA" DOCUMENTATION.(CONTACT STERIS) OR REFERENCE THE ALLOWABLE LOAD CAPACITY "LABEL" LOCATED ON THE PENDANT HEAD OR COLUMN.
- 2) LAMINAR AIR FLOW DUCT-WORK SHOULD BE INSTALLED NO CLOSER THAN 24 INCHES FROM THE CENTERLINE OF THE VERTICAL EXTENSION TUBE/HARMONY BEARING PLATE. IF ADEQUATE CLEARANCE IS NOT ACHIEVED, AN ACCESS DOOR SHOULD BE PROVIDED IN THE CEILING TO ASSIST IN CABLE ROUTING AND SYSTEM TROUBLESHOOTING.

ALL DIMENSIONS ARE IN INCHES ALSO REFER TO GENERAL NOTES APPLICABLE TO EQUIPMENT DRAWINGS	<h2 style="margin: 0;">SUPPORT STRUCTURE ENGINEERING REQUIREMENTS</h2>	ACCOUNT NAME
<p style="font-size: small;">STERIS Corporation Mentor, OH</p>	Harmony EMS 70"DbI Fixed Arm with 40"Column	ACCOUNT LOCATION
	FILE NAME Kelowna Cardiac Room Reno	
	PRINTED DATE 9/26/2011	SHEET 12 of 19

CAD DWG DATE 4/22/10 DRAWN BY MDS CHECKED BY G.W. ECA 114124 REV. DATE 06/07/11 REV. NO. 2 DWG. NO. 129387-625



NOTES:

1. ALL JUNCTION BOXES (PROVIDED BY OTHERS) MUST BE INSTALLED ON THE STRUCTURAL PLATE.
2. THE QUANTITY OF ELECTRICAL SERVICES REQUIRED FOR EMS UNITS IS DEPENDENT ON INDIVIDUAL DESIGN. CONSULT FACILITIES ENGINEER FOR REQUIREMENTS. CIRCUITS ARE DEDICATED SINGLE PHASE, 120VAC, 15 AMP EACH, OR 220VAC, 30 AMP FOR LASER APPLICATIONS WHEN A NEMA L6-30R OUTLET IS UTILIZED.
3. IF THE CIRCUITS FOR ELECTRICAL RECEPTACLES ARE SUPPLIED BY ISOLATED POWER THEN THE EMS MOTOR ALSO MUST BE SUPPLIED BY ISOLATED POWER.
4. STERIS PROVIDES POLYESTER CIRCUIT LABELS FOR EACH ELECTRIC SERVICE. CIRCUIT ASSIGNMENT & ELECTRIC SERVICE PLACEMENT ARE AGREED UPON WITH THE CUSTOMER DURING THE PLANNING STAGE. REFERENCE THE STERIS PLANNING SHEET DOCUMENTS. ELECTRIC SERVICE PLATE ENGRAVING IS THE RESPONSIBILITY OF THE GENERAL CONTRACTOR/CUSTOMER. (NOT PROVIDED BY STERIS)

EMS CIRCUIT TYPE	AMP	QUANTITY
STANDARD NORMAL	15 AMP	
STANDARD ISOLATED	15 AMP	
EMERGENCY NORMAL	15 AMP	
EMERGENCY ISOLATED	15 AMP	3
LASER (NEMA L6-30R) OUTLET	30 AMP	
EMS BRAKES	1 AMP	1
EMS MOTOR	6 AMP	
PES MOTOR	15 AMP	
AC FOR LIGHTS	10 AMP	
AC FOR MONITORS	15 AMP	
INSIGHT 200 (MOTOR & BRAKES)	10 AMP	
INSIGHT 100 BRAKES	1 AMP	
INSIGHT 85 BRAKES	1 AMP	

ALL DIMENSIONS ARE IN INCHES
ALSO REFER TO GENERAL NOTES
APPLICABLE TO EQUIPMENT DRAWINGS

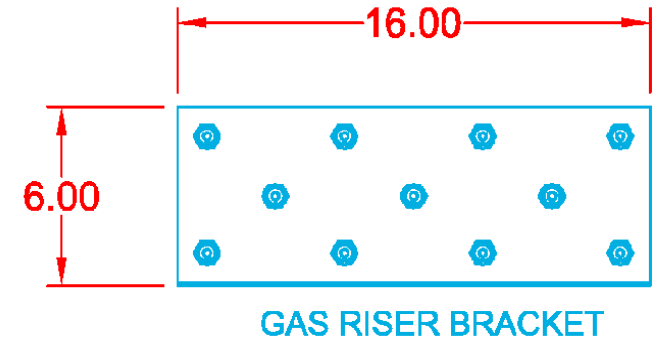
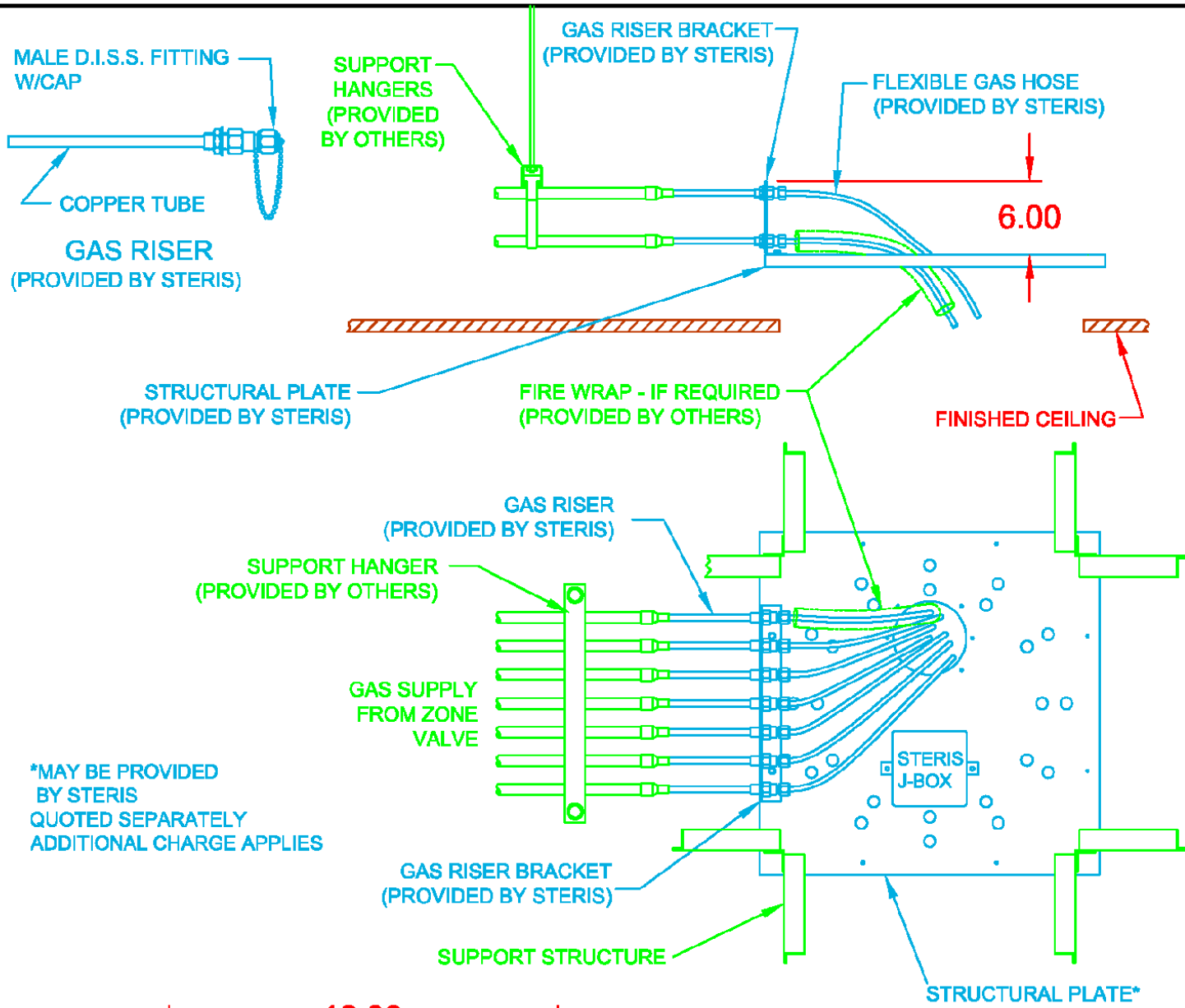
STERIS Corporation
Mentor, OH

ELECTRICAL DETAILS CANADA

Harmony EMS 70" Dbl Fixed Arm with 40" Column

ACCOUNT NAME	
ACCOUNT LOCATION	
FILE NAME Kelowna Cardiac Room Reno	
PRINTED DATE 9/26/2011	SHEET 13 of 19


CAD DWG DATE 3/31/10 DRAWN BY MDS CHECKED BY G.W. ECA 104340 REV. DATE 12/27/10 REV. NO. 1 DWG. NO. 129387-621



TYPE	MAXIMUM	RECOMMENDED	QUANTITY
CO2	1372 KPA	345 - 379 KPA	
N	1372 KPA	1103 - 1276 KPA	1
O2	689 KPA	345 - 379 KPA	2
MED AIR	689 KPA	345 - 379 KPA	2
N2O	689 KPA	345 - 379 KPA	
WAGD/EVAC	508mm HG.	305 - 381mm HG.	
VAC	508mm HG.	305 - 381mm HG.	4
INSTRUMENT AIR	1372 KPA	1103 - 1276 KPA	

- IF EMS UNITS REQUIRE MEDICAL GAS SUPPLY SERVICES, SUPPLY SERVICE CONNECTIONS (GAS PIPETTES OR RISERS, COPPER TUBE WITH MALE DISS CONNECTION ON ONE END) ARE CONNECTED ABOVE THE FINISHED CEILING. ALL CONNECTIONS SHALL BE IN ACCORDANCE WITH NFPA 99 AND LOCAL CODES.
- MEDICAL GAS REQUIREMENTS ARE SPECIFIED BY THE CUSTOMER.
- CLEARANCE OF 6" (152mm) IS REQUIRED ABOVE STRUCTURAL MOUNTING PLATE FOR GAS SUPPLY HOOK-UP.

ALL DIMENSIONS ARE IN INCHES
 ALSO REFER TO GENERAL NOTES
 APPLICABLE TO EQUIPMENT DRAWINGS

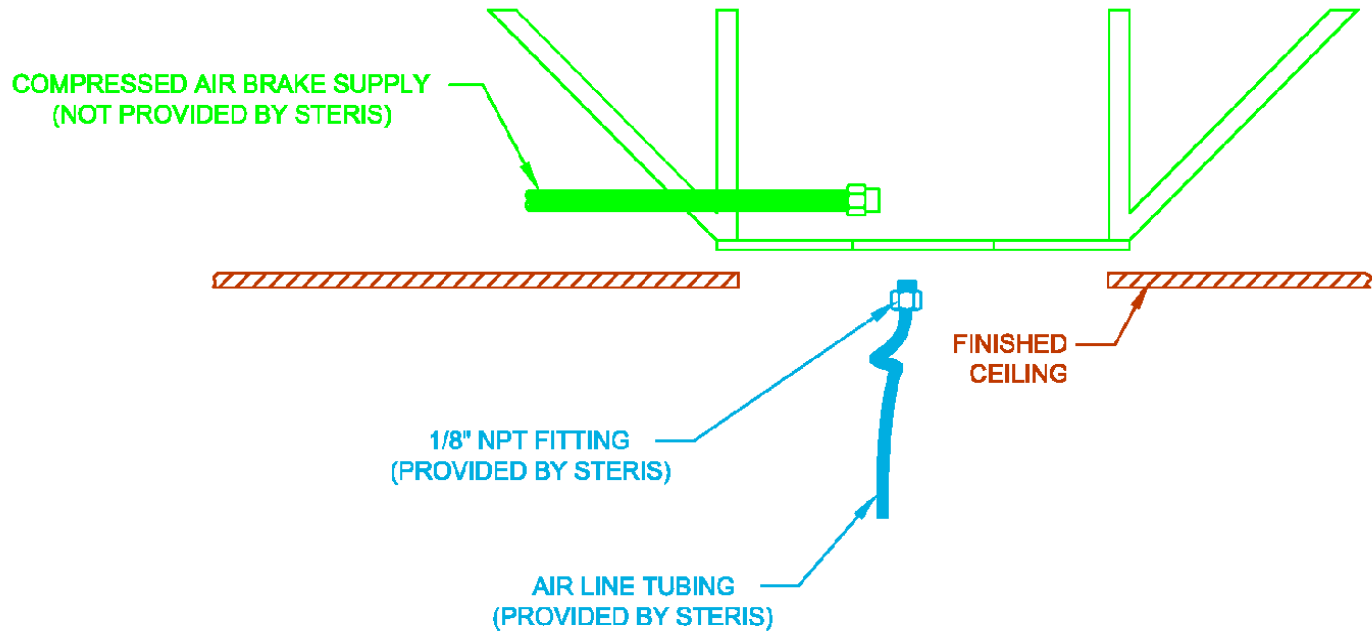
STERIS

 STERIS Corporation
 Mentor, OH

**GAS DETAILS
 CANADA**

Harmony EMS 70"Dbl Fixed Arm with 40"Column

ACCOUNT NAME
 ACCOUNT LOCATION
 FILE NAME
 Kelowna Cardiac Room Reno
 PRINTED DATE
 9/26/2011
 SHEET
 14 of 19

CAD DWG DATE 08-18-09 DRAWN BY D.N. CHECKED BY GRW ECA 104078 REV. DATE 03-03-10 REV. NO. 1 DWG. NO. 129387-564



PNEUMATIC BRAKES:

- REQUIRE CLEAN, DRY AIR (REF: ANSI / ISA 7.0.01)
- PRESSURE REGULATED AT 60 TO 80 PSI (414-552 KPA)
- BRAKE PRESSURE REGULATOR NOT PROVIDED BY STERIS
- CONSUMES APPROXIMATELY 3 CUBIC INCHES (49cc) OF AIR PER ACTIVATION
- GAS RISER NOT PROVIDED BY STERIS
- STERIS BRAKE LINE TERMINATES WITH 1/8 NPT MALE FITTING
- CUSTOMER SUPPLY LINE MUST TERMINATE WITH 1/8 NPT FEMALE FITTING NOT PROVIDED BY STERIS
- **IMPORTANT:** MEDICAL GASES SUCH AS OXYGEN, NITROUS OXIDE, MEDICAL AIR, AND CARBON DIOXIDE ARE NOT ACCEPTABLE SOURCES FOR SUPPLYING PNEUMATIC BRAKES

ACCEPTABLE SOURCES FOR SUPPLYING THE PNEUMATIC BRAKES:

- STERIS RECOMMENDS USING COMPRESSED AIR OR INSTRUMENT AIR TO SUPPLY THE PNEUMATIC BRAKES
- COMPRESSED AIR:**
- RECOMMEND INSTALLING AN OIL-WATER SEPARATOR NOT PROVIDED BY STERIS CORPORATION
- INSTRUMENT AIR:**
- APPROVED FOR SUPPLYING THE PNEUMATIC BRAKES
- NITROGEN:**
- CAN BE USED TO SUPPLY THE PNEUMATIC BRAKES, BUT NOT RECOMMENDED
 - MUST CONSULT THE LOCAL INSPECTOR TO GAIN APPROVAL PRIOR TO INSTALLATION
 - USING NITROGEN TO SUPPLY THE PNEUMATIC BRAKES WILL GRADUALLY DEplete YOUR NITROGEN STORAGE LEVELS OVER TIME.

ALL DIMENSIONS ARE IN INCHES
ALSO REFER TO GENERAL NOTES
APPLICABLE TO EQUIPMENT DRAWINGS

STERIS®



STERIS Corporation
Mentor, OH

**AIR REQUIREMENTS
PNEUMATIC BRAKE**

Harmony EMS 70"DbI Fixed Arm with 40"Column

ACCOUNT NAME

ACCOUNT LOCATION

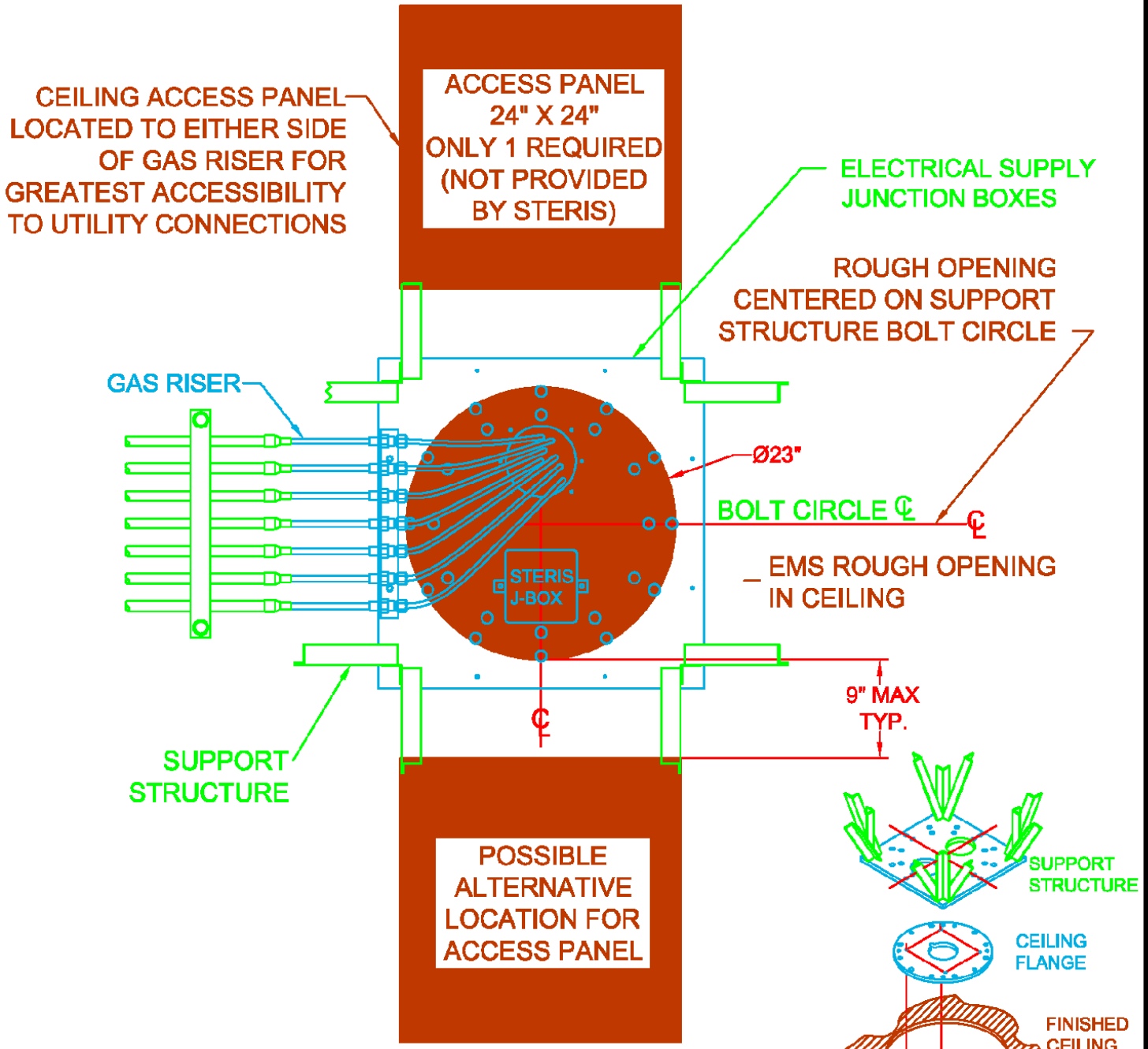
FILE NAME
Kelowna Cardiac Room Reno

PRINTED DATE
9/26/2011

SHEET 15 of 19

CAD DWG DATE 4/20/10 DRAWN BY MDS CHECKED BY G.W. ECA PENDING REV. DATE 7/14/10 REV. NO. 0 DWG. NO. 129387-623

PLAN VIEW FROM ABOVE CEILING



1. TWO OPENINGS IN THE FINISHED CEILING ARE REQUIRED:
 ONE ROUGH OPENING FOR THE INSTALLATION OF EMS UNIT - CENTERED UNDER THE SUPPORT STRUCTURE BOLT HOLE PATTERN,
 ONE 24x24 CEILING SERVICE ACCESS PANEL
2. A 23x23 SQUARE ROUGH OPENING MAY BE USED FOR THE EMS UNIT HOWEVER THIS GREATLY REDUCES THE ALLOWABLE MARGIN OF ERROR WHEN ALIGNING THE HOLE WITH THE SUPPORT STRUCTURE BOLT HOLE PATTERN. A 23" DIA. HOLE IS RECOMMENDED.

ALL DIMENSIONS ARE IN INCHES
 ALSO REFER TO GENERAL NOTES
 APPLICABLE TO EQUIPMENT DRAWINGS

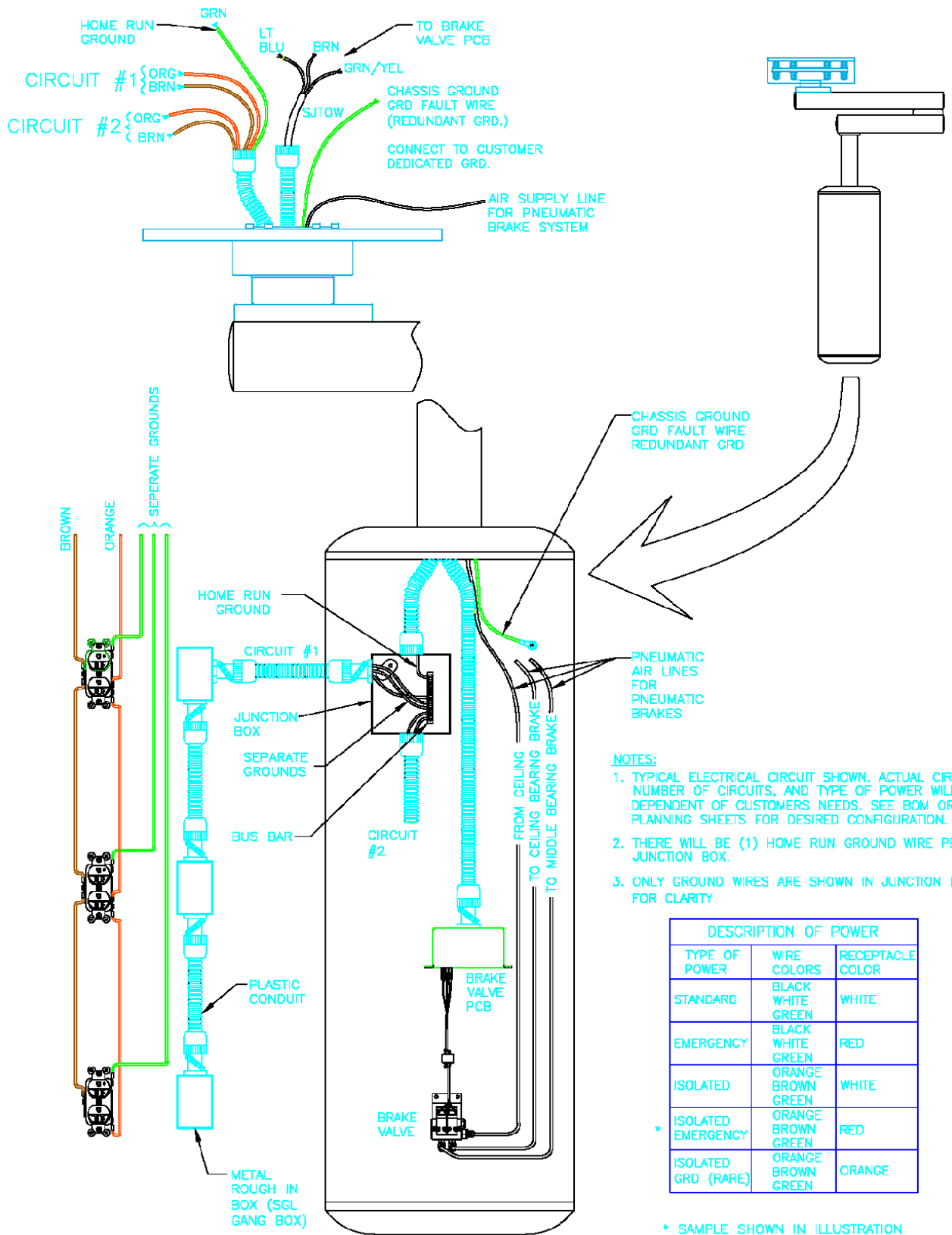


CEILING ACCESS REQUIREMENTS

Harmony EMS 70"Dbl Fixed Arm with 40"Column

ACCOUNT NAME	
ACCOUNT LOCATION	
FILE NAME Kelowna Cardiac Room Reno	
PRINTED DATE 9/26/2011	SHEET 16 of 19

CAD DWG DATE 10/15/09 DRAWN BY MDS CHECKED BY G.W. ECA 104205 REV. DATE 7/14/10 REV. NO. 0 DWG. NO. 129387-601



- NOTES:**
1. TYPICAL ELECTRICAL CIRCUIT SHOWN. ACTUAL CIRCUIT, NUMBER OF CIRCUITS, AND TYPE OF POWER WILL VARY DEPENDENT OF CUSTOMERS NEEDS. SEE BOM OR PLANNING SHEETS FOR DESIRED CONFIGURATION.
 2. THERE WILL BE (1) HOME RUN GROUND WIRE PER JUNCTION BOX.
 3. ONLY GROUND WIRES ARE SHOWN IN JUNCTION BOX FOR CLARITY

ALL DIMENSIONS ARE IN INCHES
ALSO REFER TO GENERAL NOTES
APPLICABLE TO EQUIPMENT DRAWINGS



EMS WIRING DIAGRAM

ACCOUNT NAME

ACCOUNT LOCATION

FILE NAME

PRINTED DATE

9/26/2011

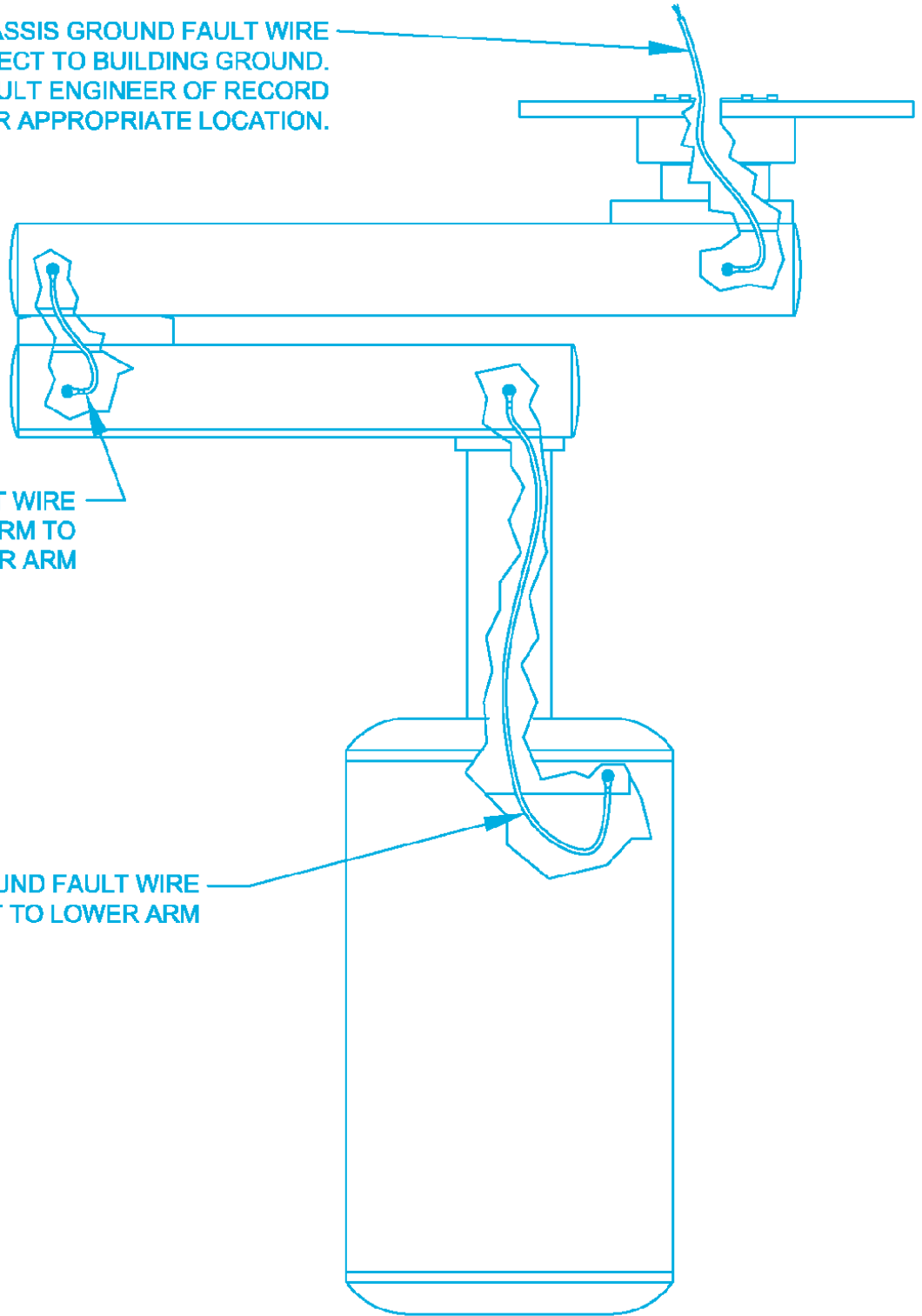
SHEET

1 of 1
Kelowna Cardiac Room Reno

CHASSIS GROUND FAULT WIRE
CONNECT TO BUILDING GROUND.
CONSULT ENGINEER OF RECORD
FOR APPROPRIATE LOCATION.

CHASSIS GROUND FAULT WIRE
CONNECTS LOWER ARM TO
UPPER ARM

CHASSIS GROUND FAULT WIRE
CONNECTS PENDANT TO LOWER ARM



NOTES:

1. GROUND WIRE IS 10 GA COPPER WITH PVC INSULATION.
2. ALUMINUM ARM IS CONSIDERED A METAL RACEWAY.

ALL DIMENSIONS ARE IN INCHES
ALSO REFER TO GENERAL NOTES
APPLICABLE TO EQUIPMENT DRAWINGS

STERIS



STERIS Corporation
Mentor, OH

**REDUNDANT GROUND
DETAIL**

Harmony EMS 70"Dbl Fixed Arm with 40"Column

ACCOUNT NAME

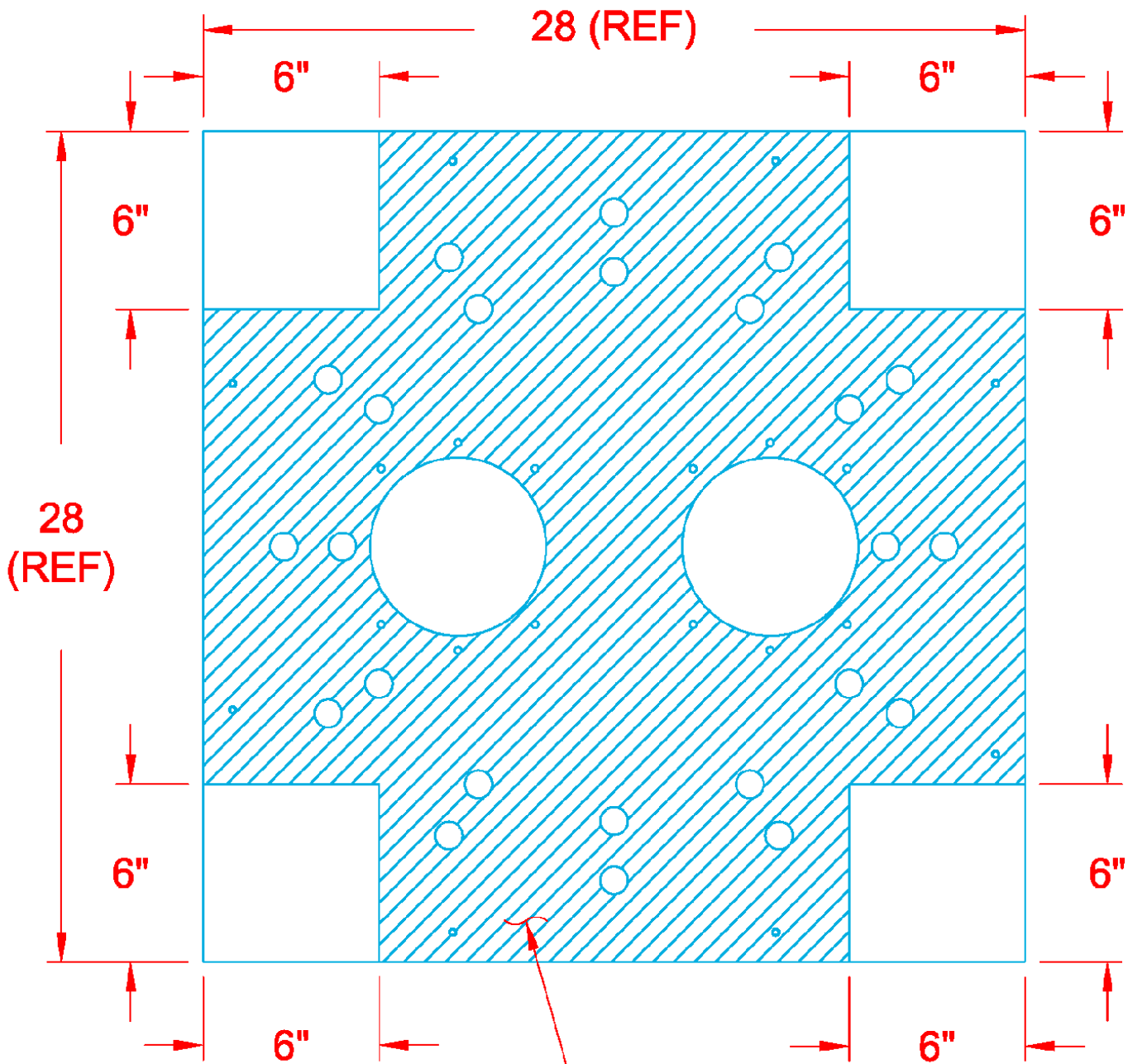
ACCOUNT LOCATION

FILE NAME
Kelowna Cardiac Room Reno

PRINTED DATE
9/26/2011

SHEET 18 of 19

CAD DWG DATE 3/16/10 DRAWN BY MDS CHECKED BY G.W. ECA 114046 REV. DATE 2/22/11 REV. NO. 1 DWG. NO. 129387-614



NO KICKERS OR WELD ALLOWED IN THIS AREA

NOTES:

1. ALL WELD AND KICKERS MUST BE CONTAINED WITHIN THE 6" X 6" AREAS LOCATED AT EACH CORNER OF THE PLATE.
2. THE DESIGN OF THE CUSTOMER'S STRUCTURAL FRAMEWORK AND BRACING IS THE SOLE RESPONSIBILITY OF THE BUILDING'S ENGINEER OF RECORD (EOR). CONSULT WITH THE EOR TO INSURE THAT THE STRUCTURAL MOUNTING PLATE THAT STERIS PROVIDES, CAN BE SEAMLESSLY INCORPORATED INTO THE DESIGN OF THE SUPPORT STRUCTURE.
3. STRUCTURAL PLATE MATERIAL: 1" A36 STEEL (PROVIDED BY STERIS)

ALL DIMENSIONS ARE IN INCHES
ALSO REFER TO GENERAL NOTES
APPLICABLE TO EQUIPMENT DRAWINGS

STERIS



STERIS Corporation
Mentor, OH

**STRUCTURAL PLATE
INSTRUCTIONS**

Harmony EMS 70"Dbl Fixed Arm with 40"Column

ACCOUNT NAME

ACCOUNT LOCATION

FILE NAME
Kelowna Cardiac Room Reno

PRINTED DATE
9/26/2011

SHEET 19 of 19